



17562.0454.0 REV1

# Spare parts list series FEDERICA BITHERMAL

## Edition 03/2017



F E D E R I C A  
BUGATTI

# Spare parts list

## 1 REPLACEMENT PARTS CATALOGUE

This catalogue includes all the replacement parts required for the maintenance and service of boilers. This edition of the catalogue supersedes all previous editions.

## 2 MODEL IDENTIFICATION CODE/SERIAL NUMBER

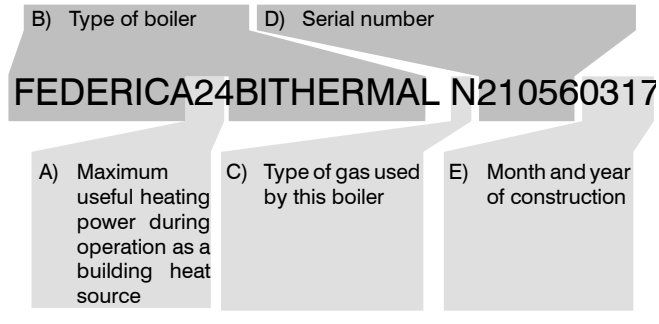
Every boiler produced by carries its own model identification code/serial number.

It is important for the service centre to mention this number when contacting the factory (the number must be listed on guarantee claims and service reports; when making requests for technical information, etc.).

The following is a breakdown of the model identification code/serial number and its meaning (reading from left to right):

- A) The maximum useful heating power during operation as a building heat source.
- B) The type of boiler according to its functions
- C) The type of gas used by this boiler. The letter "N" is used for Natural gas; the letter "G" is used for liquefied petroleum gas (LPG).
- D) The first five numbers are the actual serial number.
- E) The last four numbers indicate the month (first two numbers) and the year of construction.

**These numbers are used in this catalogue to distinguish between versions of the same model with different modifications.**



## 3 REPLACEMENT PARTS CODE

Each currently available replacement part is uniquely identified by its own replacement parts code. The replacement parts code consists of a table code and a position code.

### 3.1 Table code

The table code is a sequence of letters and numbers which uniquely and clearly identify each table. The table code can be found on the upper right of each table (see 3.3).

A validity chart for the table is located at the bottom of the table. This chart lists the models covered by the table.

	FEDERICA24BITHERMAL	

### 3.2 Position Code

The position code is a number which is used to identify a particular object on the table.

To make identification easier, position codes for kits have a different format from position codes for individual parts.

515 Position code for a kit (or assembly)      Position code for an individual part      125

A label can be found next to the position code. This label is used to provide additional information on the replacement part and makes identification of the part easier:

#### A – Type of gas

515<sub>G20</sub>      125<sub>G20</sub>      G20 = Natural gas

515<sub>G30-G31</sub>      125<sub>G30-G31</sub>      G30 – G31 = Butane – Propane (LPG)

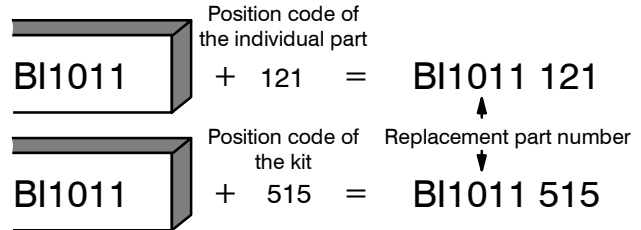
#### B – Validity restrictions

515<sup>(24)</sup>      125<sup>(24)</sup>      For model FEDERICA 24 BITHERMAL, only

### 3.3 Composition of the replacement part code

Each replacement part code includes a table identification code and a position code. A position code is only listed for replacement parts which are currently available.

The replacement part code consists of the table code (which can be found on the upper right of the table) plus the position code (in two formats: individual part or kit).



The components of a kit are enclosed in a broken line. A kit may contain other complete kits, or portions of other kits.

In some tables, a replacement part may be identified with an arrow and a complete replacement part code (table code + position code). This means that the part is available, but must be ordered with the code listed. Also, any explanatory notes must be read before ordering.

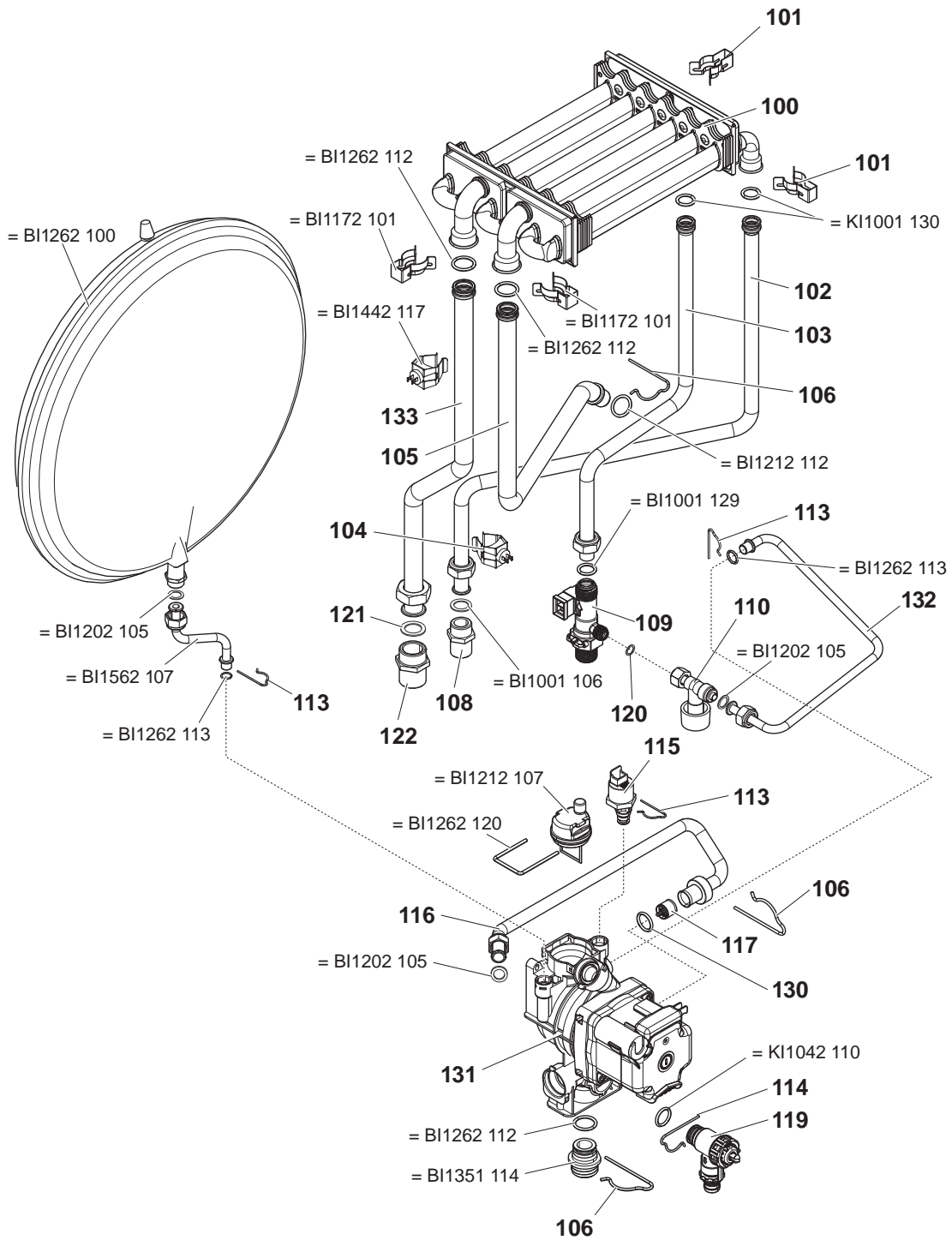
=BI1011 515  
=BI1011 515  
(24)

### 3.4 Using the replacement parts code

The replacement parts code must be included on all documents which are used in service reports, orders for replacement parts, guarantee claims, etc.

## Spare parts list

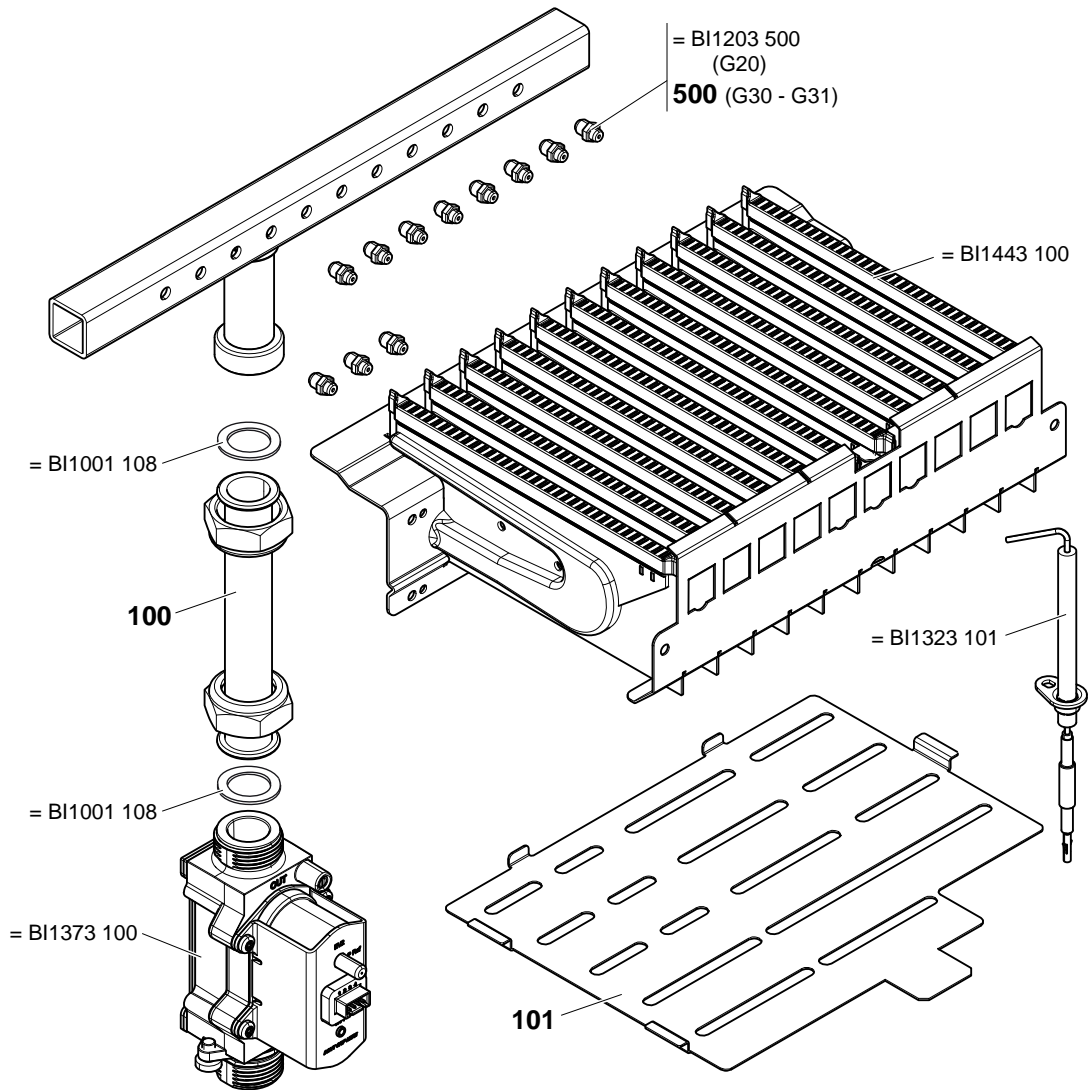
<b>Table</b>		<b>Edition</b>	<b>N° of pages</b>
BI1592 Part 2	Water group	0317	1
BI1413 Part 3	Gas group	0317	1
BI2285 Part 5	Driving panel and electric parts	0317	1
BI2295 Part 5	Driving panel and electric parts	0317	1
BI1616 Part 6	External panels, fire chamber	0317	1



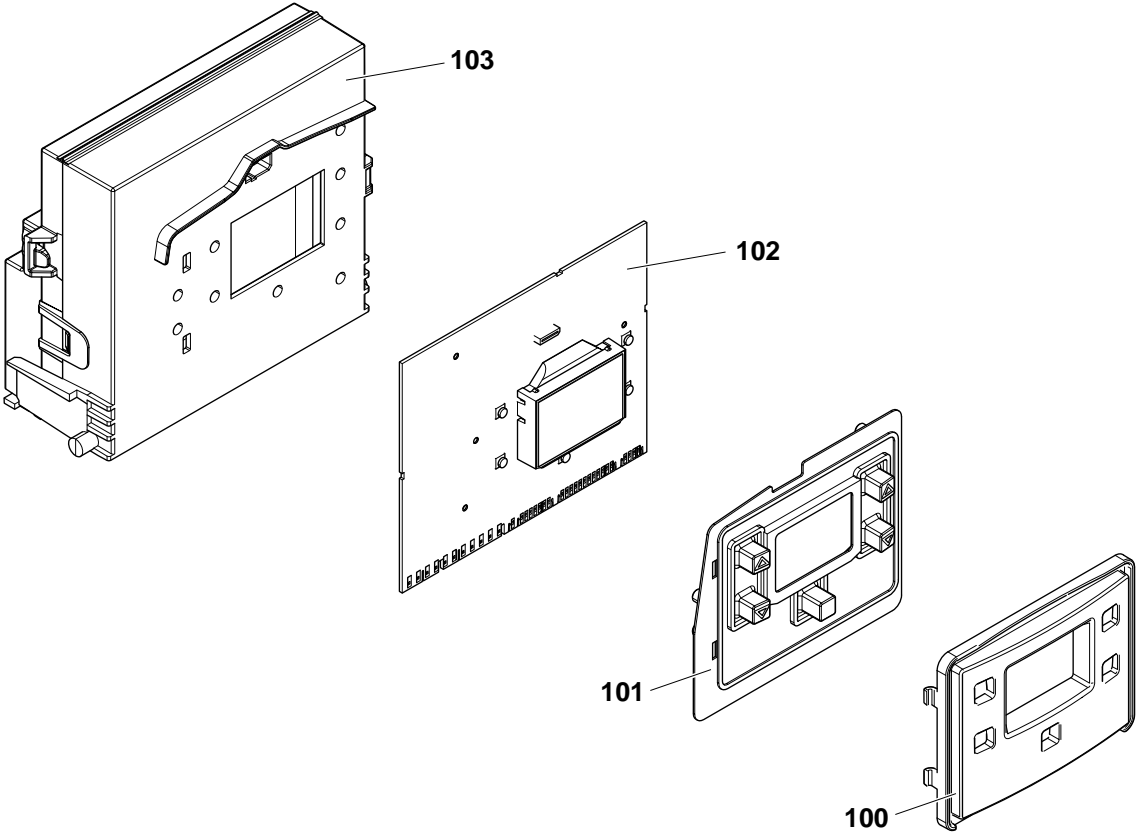
0317

FEDERICA 24 BITHERMAL





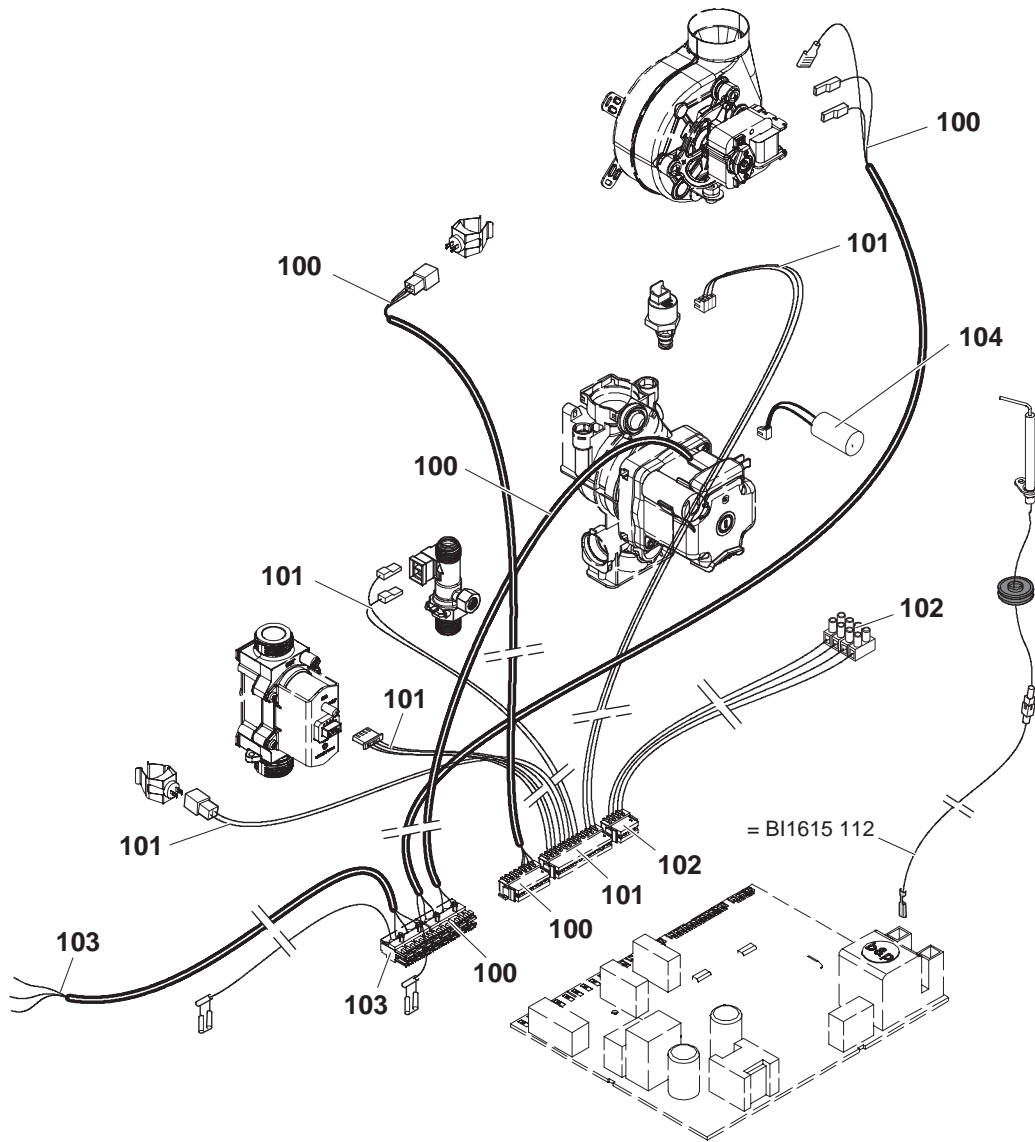
	FEDERICA 24 BITHERMAL		



0317

	FEDERICA 24 BITHERMAL		

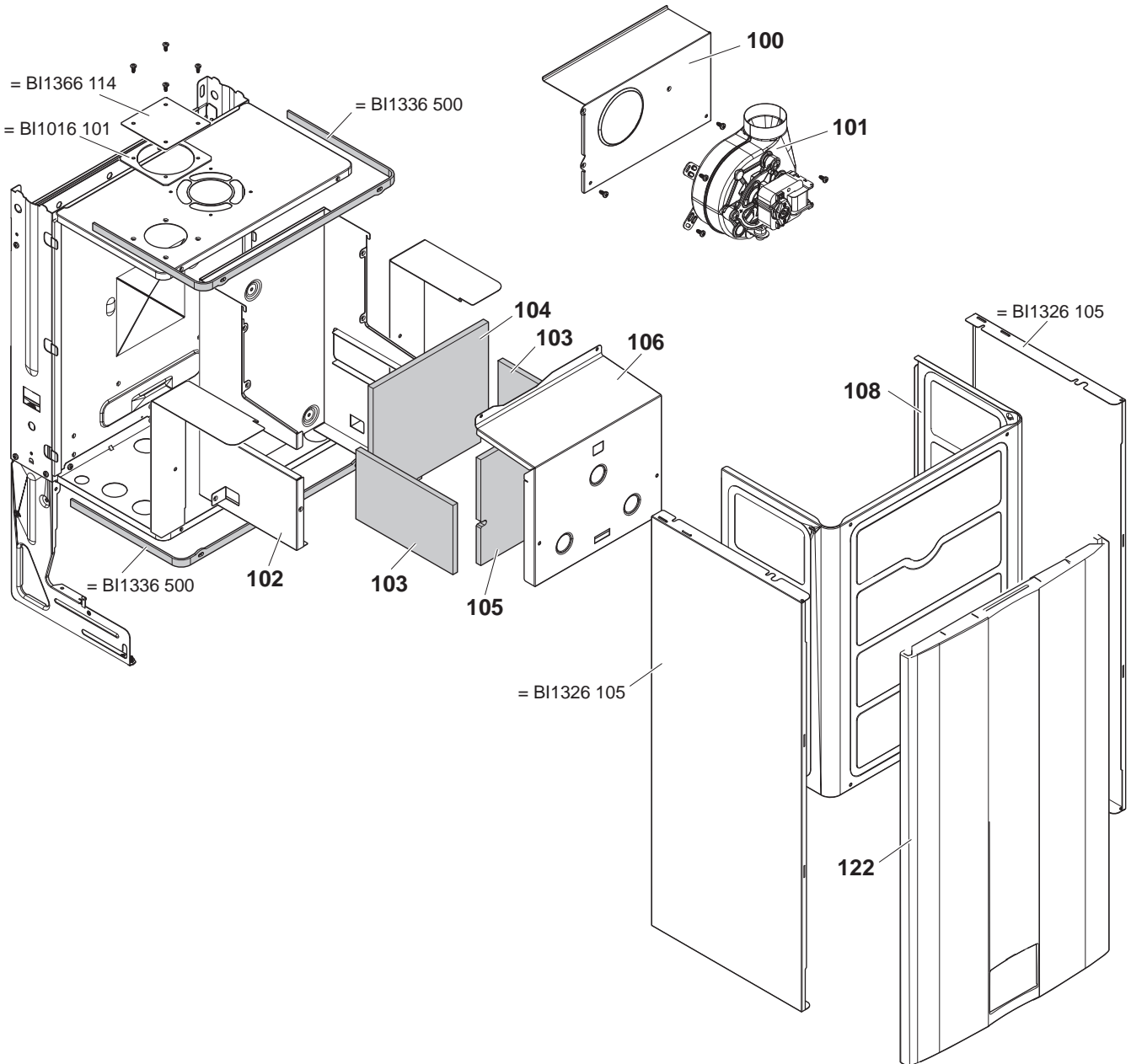




0317

	FEDERICA 24 BITHERMAL		





0317