



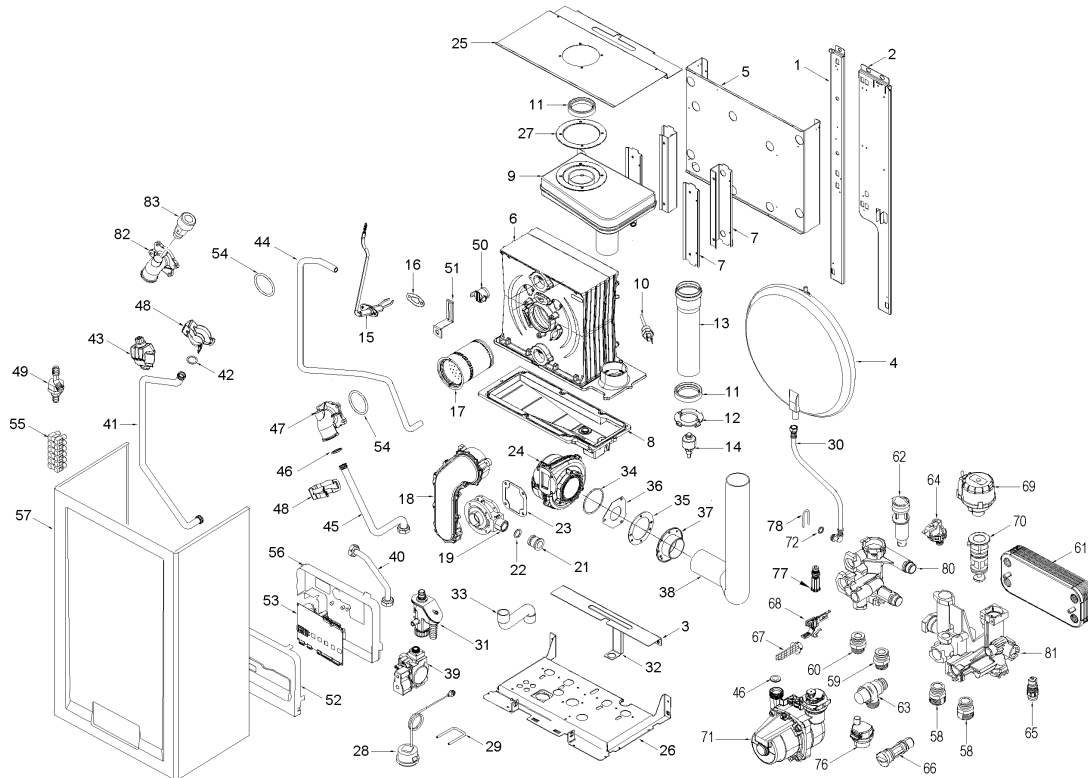
Fonderie Sime S.p.A. - Via Garbo, 27 - 37045 Legnago (VR) - www.sime.it
 Tribunale Verona 13531 - R.E.A. VR 171357 - C.C.P. 19423375 - N° Mecc. VR 014435
 Capitale Sociale Euro 5.521.200 int. versato - Codice Fiscale/Partita IVA n. IT 01275930236

Comfort Ambiente - Via Garbo, 27 - 37045 Legnago (VR)

Tel +39 0442 631111 - Fax Servizio Commerciale: Italia +39 0442 631291 - Estero +39 0442 631293

Fax Servizio Tecnico +39 0442 631292 - Fax Ufficio Acquisti +39 0442 631292 - Fax Amministrazione +39 0442 631336

8108104 CALD.MET. FORMAT DGT HE 35



Posiz.	Codice	Descrizione	
001	6318350	Left hand side frame part	
002	6318300	Right hand side frame part	
003	6140006	Bracket for expansion vessel	
004	5139121	Expansion vessel I.6 - 3/8" M	
005	6010840	Exchanger fixing bracket	
006A	6319202	Main exchanger body	
007A	6010841	Main exchanger fixing bracket	
008	6319490	Condensate recovery basin kit	
009	6278702	Smoke chamber	
010	6277131	Probe NTC D.4X47	
011	6248855	P.C. inlet/outlet smokes gasket	
012	6028661	Smoke exhaust diaphragm	
013	6034310	Plastic pipe 60x271	
014	6319500	Magnetic sensor	
015	6221637	Ignition-ionisation electrode	
016	6174809	Gasket for ignition electrode	
017A	6278313	Premix	
018A	6278856	Air-gas hose kit	
019A	6274307	Air/gas mixer	
021B	6274125	Burner nozzle \varnothing 8,50	35 MET
021E	6274127	Main burner nozzle \varnothing 5,20	GPL
022	6226414	O-ring 117 \varnothing 13,1x2,62	
023	6174816	Gasket for fan flange	
024A	6261405	Fan	
025	6010842	Upper protection shield	
026	6318015	Frame assembly lower side	
027	6028711	Rubber gasket diam.100x125x2	
028	6146111	Hydrometer	
029	6226628	Hydrometer Fixing spring	
030	6017313	Flexible pipe 90° L=400	
031	6277205	Water trap	
032	6010844	Trap fixing bracket	
033	6034160	Condensate drainage rubber pipe	
035	6028703	Gasket for duct flange	

036	6028646	Air diaphragm	
037	6083055	Duct flange 60	
038	6001150	Air intake pipe 60	
039	6243823	Gas valve type	
040	6277416	Pipe connecting gas valve-mixer	
041	6246504	C.H. flow pipe	
042	6226412	O-ring 3068	
043	6231360	Temperature sensor	
044	1010215	Rubber pipe dia. 15x2,5	
045	6227431	C.H. return pipe	
046	6226457	O-ring 12bis diam. 16x1,90	
047	6026410	Exchanger elbow flange	
048	6226619	Spring for heat exchanger conne	
049	6280590	Three way fitting + cap kit	
050	6146724	H.L. stat 95°C	
051	6272506	Safety stat fixing spring	
052	6304790	Panel kit	
053	6301422	Main P.C.B.	
054	6226463	Flue kit elbow ORing 47,87x3,5	
055	2211010	Terminal strip	
056	6305050	Control panel cover	
057	6317851	Casing	
058	6120533	C.H Nipple	
059	6120532	D.H.W. Nipple	
060	6120534	D.H.W. Nipple exit	
061A	6319692	Kit 18 plate heat exchanger + o	
062	6319633	Flowmeter without reg. of capac	
063	6040211	Pressure relief valve 3 bar	
064	6037504	Water pressure switch	
065	6319603	Discharger cock	
066	6319640	By-pass	FINO MATR.4041300849
066A	6319641	By-pass 2 (new)	DA MATR. 4041300850
067	6319618	Primary filter component	
068	6319601	Sensor hall complete	
069	6319620	Divertor valve motor	
070	6319625	Diverting valve body	
071	6272310	Circulating pump	
072	6226464	O-ring 115 diam. 11,91x2,62	
076	6013182	Automatic air vent	
077	6319634	Filling cock	
078	6226627	Expansion vassel fixing spring	
080	6319682	D.H.W. Technyl manifold group	
081	6319681	C.H. Technyl manifold group	
082	6026415	Exch. elbow flange perfor.1/8"	
083	6017213	Manual air vent 1/8"	
701	6127214	Main cable L=1500	
702	6293560	2 pole cable connector	
703	6316253	9 pole Stocko connector	
704	6316266	6 pole cable connector CN6	
705	6316267	14 pole cable connector CN4	
706	6316268	4 pole cable connect	
707	6316269	5 pole cable connector CN7	
708	6319699	Split pin kit for hydraulic gro	
709	6319698	O-ring kit for hydraulic group	
711	6281534	Gaskets kit	
715	5199302	Complete control panel	
717	5185134	Conversion kit to LPG	
722	6319695	Murelle-Format-.....o-ring kit	
723	5198691	Technyl hydraulic group	
725	6211792	Hydraul. group Bitron caps kit	
726	8076110	Expas.major vassel ZILMET	