



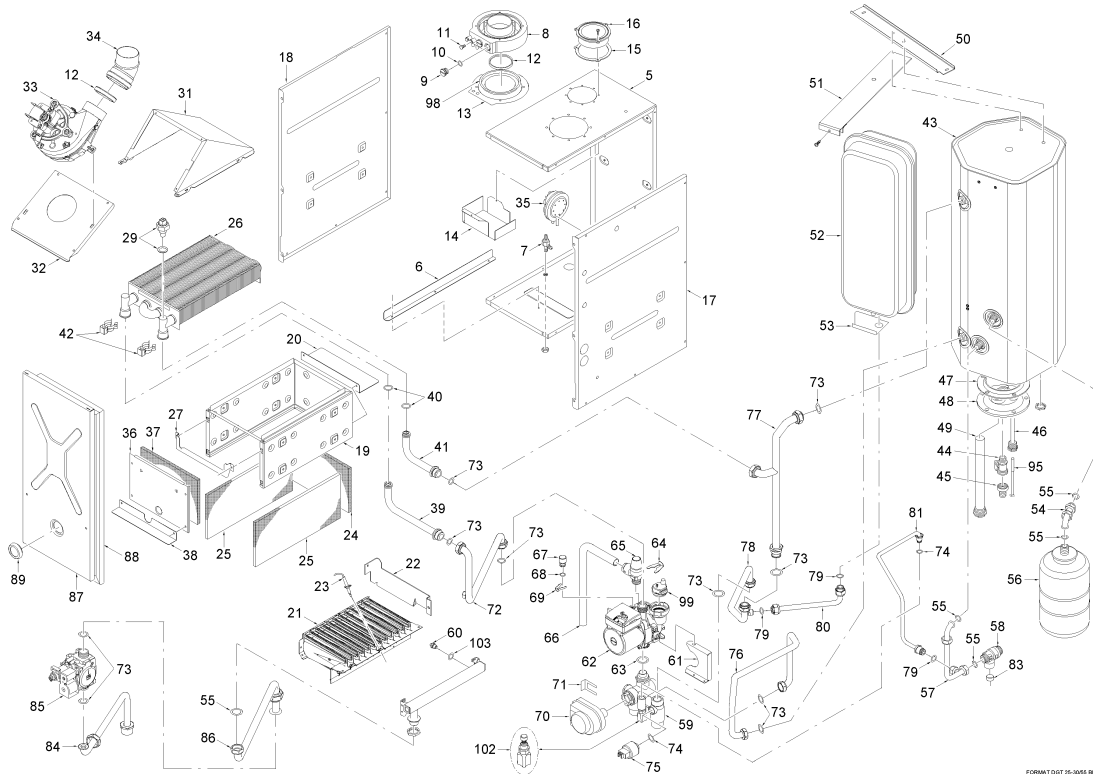
Fonderie Sime S.p.A. - Via Garbo, 27 - 37045 Legnago (VR) - www.sime.it
 Tribunale Verona 13531 - R.E.A. VR 171357 - C.C.P. 19423375 - N° Mecc. VR 014435
 Capitale Sociale Euro 5.521.200 int. versato - Codice Fiscale/Partita IVA n. IT 01275930236

Comfort Ambiente - Via Garbo, 27 - 37045 Legnago (VR)

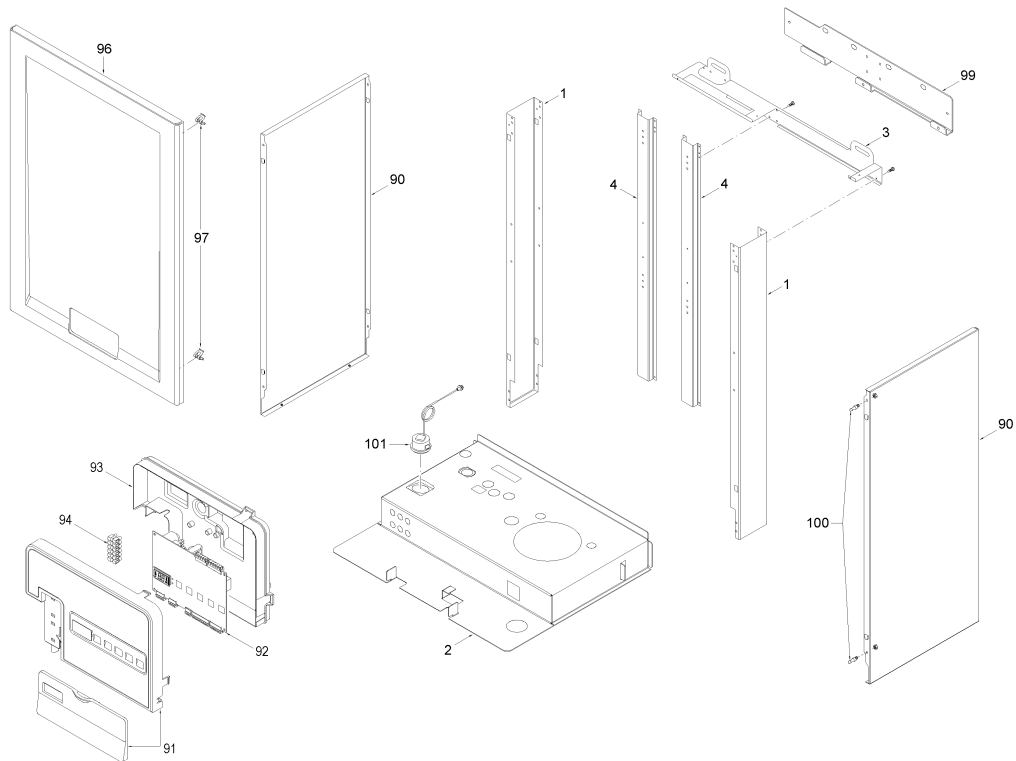
Tel +39 0442 631111 - Fax Servizio Commerciale: Italia +39 0442 631291 - Estero +39 0442 631293

Fax Servizio Tecnico +39 0442 631292 - Fax Ufficio Acquisti +39 0442 631292 - Fax Amministrazione +39 0442 631336

8110900 CALD.GAS MET FOR.DGT 25/55 BF



FORMAT DGT 25-555 BF



FORMAT DGT 25-555 BF

Posiz.	Codice	Descrizione
001	6138555	Right/left hand side frame part
002	6138868	Frame assembly lower side
003	6138706	Frame assembly upper support
004	6256701	Sealed chamber rear support
005	6266042	Sealed chamber rear panel

006	6257521	Combustion chamber lower air de	
007	6280590	Three way fitting + cap kit	
008	6287900	Air/smoke manifold	
009	6147406	Air/smoke manifold plug M14x1.5	
010	6226417	O-ring 3043	
011	6242602	Air/smoke manifold screw	
012	6248803	Lip seal for Ø 60 pipe	
013	6028706	Air/smoke manifold gasket	
014	6257512	Air deflector for separate duct	
015	6028707	Air intake gasket	
016	6288000	Air intake	
017	6266132	Sealed chamber right hand side	
018	6266142	Sealed chamber left hand side p	
019	6213608	Combustion chamber	
020	6257529	Lower air deflector	
021	5190700	Main burner assembly	
022	6293002	Burner fixing bracket	
023	6235931	Ignition-ionisation electrode	
024	6139727	Combustion chamber rear insulat	
025	6139729	Combustion chamber side insulat	
026	6174230	Heat exchanger	
027	6293003	Exchanger fixing bracket	
029	6231369	Plunged sensor	
031	5172313	Smoke chamber assembly	
032	6229218	Fan mounting plate	
033	6225634	Fan	
034	6189109	45° M.F. flue elbow dia 60 mm.	
035	6225707	Air pressure switch	
036	6229008	Combustion chamber front panel	
037	6139795	Combustion chamber front insula	
038	6257527	Air deflector	
039	6265102	Heat exchanger inlet pipe	
040	6226412	O-ring 3068	
041	6265103	Heat exchanger outlet pipe	
042	6226601	Spring for heat exchanger conne	
043	5167709	D.H.W. storage tank l=55	
044	6179100	Drain cock 3/8"	
045	6179200	Holder complete with locking nu	
046	5002402	Bulb holder 1/2" Ø 7,5x8,5x600	
047	6193000	Rubber gasket Ø 130	
048	6192907	D.H.W. cylinder flange Ø 138	
049	6072700	Magnesium anode Ø 22 L=400	
050	6138710	D.H.W. tank fixing bracket	
051	6189550	Expansion vessel fixing bracket	
052	5183700	Rectang. expansion vessel 8 l.	
053	6189537	Expansion vessel lower fixing b	
054	6227644	D.H.W. expansion vessel connect	
055	2030255	Gasket Ø 12,5x18,5x3	
056	6245102	Sanitary D.H.W. tank - 2.5 L.	
057	6162503	Pipe connecting filling cock	
058	6029000	Pressure relief valve 1/2" - 7	
059	5197001	Brass hydraulic group	
060	6154402	Main burner nozzle NP 130 natur	25/30 MET
060A	6154406	Main burner nozzle NP 0,80	25 GPL
061	6073318	Circulating pump fixing bracket	
062	6124818	Circulating pump 15-60	
063	6226452	O-Ring Ø 17x4	
064	6226626	Pipe fixing spring	
065	6040209	Pressure relief valve	
066	6157634	Pressure relief valve drain pip	
067	6147410	Plug	
068	6226450	O-ring Ø 7,59x2,62	
069	6226622	Fixing spring	
070	6087304	Motor for Honeywell diverting v	
071	6226623	Divertor valve spring	
072	6215644	C.H. return pipe	
073	2030228	Gasket Ø 17x24x2	
074	2030225	Gasket Ø 5,5x11x2	
075	6037502	Water pressure switch	
076	6194807	D.H.W. tank outlet pipe	
077	6265109	Heat exchanger outlet pipe	
078	6216244	C.H. flow pipe	
079	2030226	Gasket Ø 10,2x14,8x2	
080	6017404	Flexible pipe F-F.3/8X3/8 L270	
081	6199213	Boiler feeding loop	
083	6100202	Ogive for pipe Ø 15	
084	6226896	Gas inlet pipe	

085	6243827	SIT gas valve type 845 SIGMA	
086	6226966	Pipe connecting gas valve-main	
087	6304500	Sealed chamber front panel	
088	5192207	Gasket for sealed chamber	
089	6001210	Peephole	
090	6242218	Hand side casing panel	
091	6304791	Panel kit	
092	6301440	Main PCB	
093	6305050	Control panel cover	
094	2211010	Terminal strip	
095	6231331	D.H.W. tank sensor	
096	6271451	Casing front panel	
097	2015000	Spring clip	
098	6028624	Air diaphragm Ø 87.5	
099	6215207	Hanging bracket	
100	2003000	Pin M5 Zn	
101	6146130	Hydrometer	
102	6146603	Filling cock 5197001 group	
103	6022004	Copper washer Ø 6	
702	6319140	6 pole cable connector	
703	6319139	9 pole cable connector	
704	6319141	14 pole cable connector	
705	6127214	Main cable L=1500	
706	6319142	5 pole cable connector	
707	5144721	Conversion kit to LPG	25 SET GPL
709	6281534	Gaskets kit	
710	6319695	Murelle-Format-.....o-ring kit	
712	5199530	Complete control panel	