



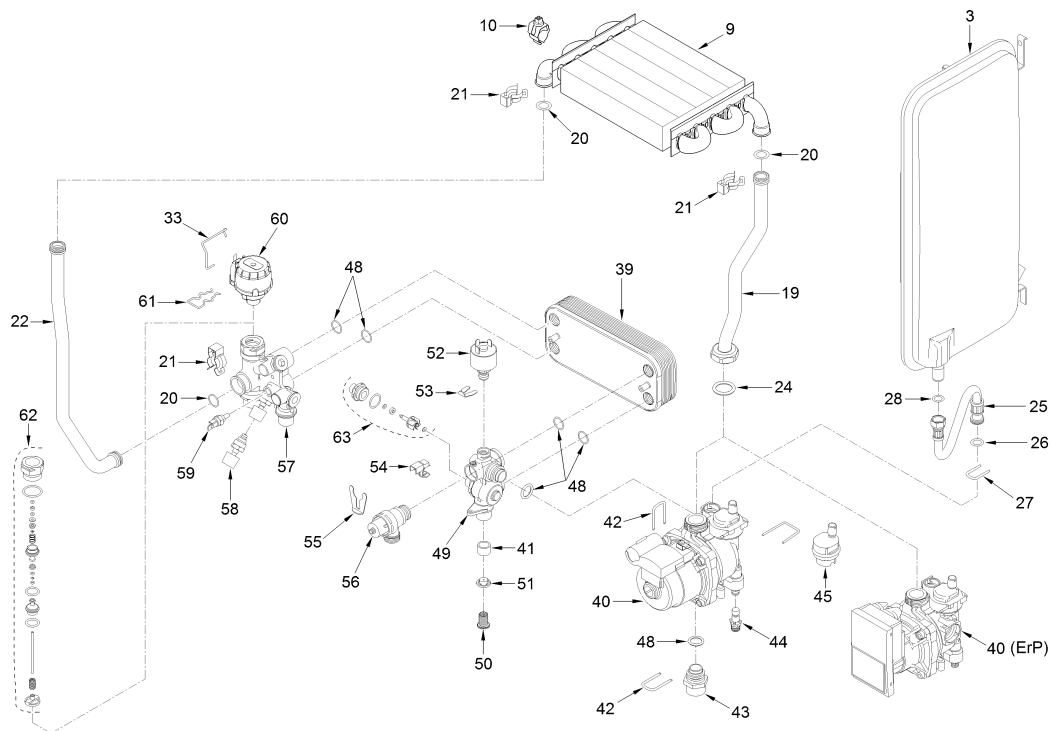
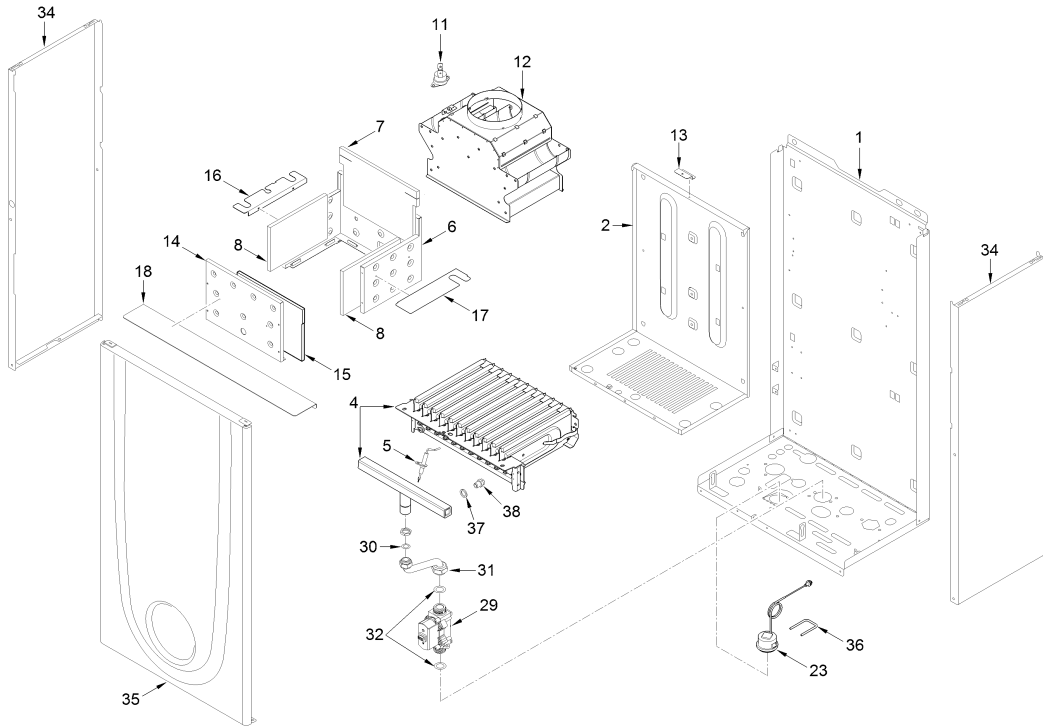
Fonderie Sime S.p.A. - Via Garbo, 27 - 37045 Legnago (VR) - [www.sime.it](http://www.sime.it)  
Tribunale Verona 13531 - R.E.A. VR 171357 - C.C.P. 19423375 - N° Mecc. VR 014435  
Capitale Sociale Euro 5.521.200 int. versato - Codice Fiscale/Partita IVA n. IT 01275930236

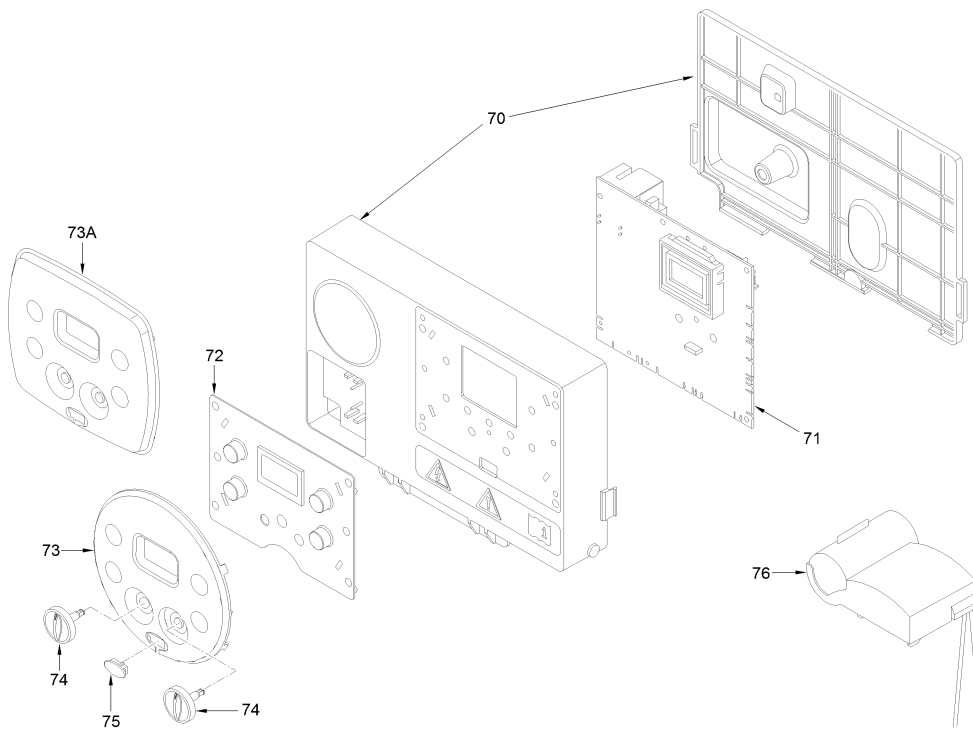
Comfort Ambiente - Via Garbo, 27 - 37045 Legnago (VR)

Tel +39 0442 631111 - Fax Servizio Commerciale: Italia +39 0442 631291 - Estero +39 0442 631293

Fax Servizio Tecnico +39 0442 631292 - Fax Ufficio Acquisti +39 0442 631292 - Fax Amministrazione +39 0442 631336

8112180 CALD.MET. BRAVA ONE 25 OF





Posiz.	Codice	Descrizione	
001	6264561	Boiler fixing bracket	
002	6317650	Rear panel	
003	5183728	Rectang. expansion vessel 8 l.	
004	5198260	Main burner assembly	
005	6235935	Ignition-ionisation electrode	
006	6318550	Combustion Chamber front panel	
007	6318721	Combustion chamber rear insulat	
008	6318710	Combustion chamber side insulat	
009	6174267	Heat exchanger	
010	6231362	NTC sensor	
011	6146711	Limit stat 80°C	
012	5167595	Smoke chamber assembly	
013	6073350	Smoke chamber mounting bracket	
014	6317950	Combustion chamber front panel	
015	6318701	Combustion chamber side insulat	
016	6276620	Smoke chamber L.H.S. closure	
017	6276521	Smoke chamber R.H.S. closure	
018	6276727	Smoke chamber front closure	
019	6264868	C.H. return pipe	
020	6226412	O-ring 3068	
021	6226601	Spring for heat exchanger conn	
022	6227465	Flowing pipe to C.H. system	
023	6146101	Hydrometer	
024	2030267	Piracriten gasket Ø 30x17x2	
025	6017405	Flexible pipe M.F. 3/8" L=300	
026	6226476	ORing diam.15x2	
027	6226643	Pipe fixing spring	
028	2030226	Gasket Ø 10,2x14,8x2	
029	6243838	Gas valve	
030	2030255	Gasket Ø 12,5x18,5x3	
031	6195216	Gas inlet pipe	
032	2030249	Gasket Ø 24x17x3	
033	6226638	Divertor valve motor spring cli	
034	6304480	casing left/right side panel	
035	6325031	Casing front panel	
036	6226628	Hydrometer Fixing spring	
037	6022004	Copper washer Ø 6	
038	6154402	Main burner nozzle NP 130 natur	MET
038A	6154419	Main burner nozzle diam. 0,72 M	GPL
039	6265655	10 plate-type heat exchanger	
040	6272340	Circulating pump	
042	6226644	Spring clip for rotating connec	
043	6120560	Pump nipple 3/4"	
045	6013182	Automatic air vent	
048	6226475	ORing diam.18,64x3,53	
049	6265830	C.H. return manifold	

050	6222003	D.H.W. filter
052	6037510	Water pressure switch
053	6226639	Spring clip
054	6131440	Flowmeter sensor
055	6226645	Spring clip
056	6040225	Pressure relief valve 1/2" 3 ba
057	6265870	C.H. flow manifold
058	6319639	Filling cock
059	6231351	Plunged sensor
060	6087332	Motor for diverting valve
061	6226636	D.H.W. elektrovalve fix.spring
062	6319645	Three-way plates group
063	6319644	Flowmeter group
070	6304720	Control panel
071	6324910	Main P.C.B. BRAVA ONE BF
072	6305130	Rubber button
073	6304830	Interface panel
074	6290150	Knob Ø 25
075	6305140	Rubber cap
702	6281534	Gaskets kit
703	6319695	Murelle-Format-.....o-ring kit
704	5202350	Complete control panel
705	6323875	6 pole cable connector CN12
706	6323876	4 pole cable connector CN14
707	6323891	14 pole connector CN15+CN5
708	6323894	9 pole cable connector CN1
709	6323893	4 pole connector CN13 pump
710	6319700	Springs / clamps kit DIN
713	5144722	L.P.G. conversion kit