

# BAXI



(40111)

## **SPARE PARTS LIST**

***- EDITION DICEMBRE 2005-***



# COME SI CONSULTA IL CATALOGO RICAMBI

Dopo le tavole esplosi caldaie si trovano le liste dei componenti delle caldaie, suddivise in varie colonne, con il seguente significato:

<b>Pos.</b>	Numero di identificazione del componente nella tavola esplosa della caldaia.
<b>Descrizione</b>	Breve descrizione del componente.
<b>Code</b>	Codice BAXI S.p.A. del componente.
<b>Tab. XX</b>	XX è il numero della tavola esplosa caldaia riferita al modello in esame.
<b>From serial number</b>	Data (anno e settimana) di inizio produzione di un componente (prime quattro cifre della targa matricola caldaia). Esempio: <b>B005: anno 2000</b> (B indica il decennio 2000-2009; 0 indica l'anno) - <b>5<sup>a</sup> settimana</b> . Se la casella è vuota significa che il componente è in uso dall'inizio produzione del modello di caldaia.
<b>To serial number</b>	Data (anno e settimana) di fine produzione di un componente (prime quattro cifre della targa matricola caldaia). Esempio: <b>B012: anno 2000 – 12<sup>a</sup> settimana</b> (N.B. la data di fine produzione è da considerarsi indicativa). Se la casella è vuota significa che il componente è ancora in uso.
<b>Interchangeable</b>	Intercambiabilità tra nuovo componente entrato in produzione e vecchio componente uscito dalla produzione. YES: il nuovo componente è intercambiabile con quello vecchio. NO: il nuovo componente <u>non</u> è intercambiabile con quello vecchio.

# HOW TO READ THE SPARE PARTS CATALOGUE

In the spare part catalogue, after the exploded diagrams, there are the components lists of the boilers; this is the meaning of the different columns:

<b>Pos.</b>	Identification number of the component in the exploded diagram of the boiler.
<b>Description</b>	Short description of the component.
<b>Code</b>	BAXI S.p.A. code of the component.
<b>Tab. XX</b>	XX is the exploded diagram number of the boiler taken into consideration.
<b>From serial number</b>	Date (year and week) identifying the beginning of production of a component (taken from the serial number of the boiler). e.g. <b>B005: year 2000</b> (B identifies the decade 2000-2009; 0 identifies the year) – <b>5<sup>th</sup> week</b> . If the box is empty, the component is in use from the beginning of production of the boiler.
<b>To serial number</b>	Date (year and week) identifying the end of production of a component (taken from the serial number of the boiler). e.g. <b>B012: year 2000</b> (B identifies the decade 2000-2009; 0 identifies the year) – <b>12<sup>th</sup> week</b> . If the box is empty, the component is still in use.
<b>Interchangeable</b>	It identifies the interchangeability between the new component and the old one. YES: components are interchangeable. NO: components are <u>not</u> interchangeable.















# LUNA ATM

CAB4120X650-1-2 - LUNA 1 20 P  
 CAB41220X680 - 1 LUNA AIR 20 I  
 CAB41220X650-1 - LUNA 20 I  
 CAB41220X680-1-2 - LUNA 20 I  
 CAB41224X680-1 - LUNA 24 I

Pos.	Descrizione	Description	Codice ricambio	ATM 10	ATM 11	ATM 12	ATM 13	ATM 14			Matr. iniz.	Matr. fin.	Int.	Note
52	UGELLO PILOTA D.0,27	PILOT INJECTOR (NATURAL GAS)	5201550	●		●								
53	BICONO PER TARGET	DOUBLE CONE CONNECTION	5202460	●		●								
54	RACCORDO PER TARGET	PILOT PIPE CONNECTION	5202470	●		●								
55	TUBO ALIMENTAZIONE PILOTA	PILOT PIPE	5206860	●		●								
56	ASS. RACCORDO BICONO HON.	PILOT PIPE CONNECTION TO HONEY. GV	5600670	●		●								
56	RAC. BICONO V.G. SIT	PILOT PIPE CONNECTION TO SIT GV	5204920	●		●								
57	TERMOCOPPIA INTERROTTA -CATOBA-	THERMOCOUPLE FOR HONEYWELL	5610450	●		●								S
57	TERMOCOPPIA INTERROTTA -SIT-	THERMOCOUPLE FOR SIT	5616800	●		●								
57	TERMOCOPPIA L=320	THERMOCOUPLE L320	5625660	●		●								
58	CANDELA PER TARGET	ELECTRODE	8420930	●		●								
59	CAVO CAND. L=620 F2,8X0,8+D.2,4	ELECTRODE CABLE	8416420		●		●							S
59	CAVO CAND. L=620 F2,8X0,8+D.2,4	ELECTRODE CABLE	8417440		●		●					A440		N
59	CAVO CANDELA L=650-2F D.2,4	ELECTRODE CABLE	8415580	●		●								
59	CAVO DOP. CAND. L=620-4FF 2,8X0,8	ELECTRODE CABLE	8416730					●					A713	S
59	CAVO CAND. L=620-2FF 2,8X0,8	ELECTRODE CABLE	8416630		●		●				A440	A449		S
59	CAVO DOP. CAND. L=620-4FF 2,8X0,8	ELECTRODE CABLE	8416730		●		●				A449	A713		S
59	CAVO CANDELA L=700-2FF 2,8X0,8	ELECTRODE CABLE	8417430		●		●	●			A713			
61	CUFFIA PER CANDELA	ELECTRODE PROTECTION CAP	5404920		●		●	●						
63	CANDELA ACCENSIONE DX B.NOX	RIGHT IGNITION ELECTRODE	8422000					●				B002		S
63	CANDELA ACCENSIONE DX E RILEV.	RIGHT IGNITION ELECTRODE	8422570					●						
63	CANDELA ACCENSIONE DX	RIGHT IGNITION ELECTRODE	8421860		●		●					A440	S	(7)
63	CANDELA ACCENSIONE DX -M 2,8X0,8-	RIGHT IGNITION ELECTRODE	8421950		●		●				A440	A527		S
63	CANDELA ACCENSIONE DX B.NOX	RIGHT IGNITION ELECTRODE	8422000		●		●				A527	B002		S
63	CANDELA ACCENSIONE DX E RILEV.	RIGHT IGNITION ELECTRODE	8422570		●		●				B002			
64	CANDELA ACCENSIONE SX B.NOX	LEFT IGNITION ELECTRODE	8422010					●				B002		S
64	CANDELA ACCENSIONE SX	LEFT IGNITION ELECTRODE	8422580					●			B002			
64	CANDELA ACCENSIONE SX	LEFT IGNITION ELECTRODE	8421870		●		●					A440	S	(8)
64	CANDELA ACCENSIONE SX -M 2,8X0,8-	LEFT IGNITION ELECTRODE	8421960		●		●				A440	A527		S
64	CANDELA ACCENSIONE SX B.NOX	LEFT IGNITION ELECTRODE	8422010		●		●				A527	B002		S
64	CANDELA ACCENSIONE SX	LEFT IGNITION ELECTRODE	8422580		●		●				B002			
65	CANDELA RIVELAZIONE -M 2,8X0,8-	SENSING ELECTRODE	8421970					●				B002		S (16)
65	CANDELA RIVELAZIONE	SENSING ELECTRODE	8421880		●		●					A440		S (10)
65	CANDELA RIVELAZIONE -M 2,8X0,8-	SENSING ELECTRODE	8421970		●		●				A440	B002		S (16)
66	PULSANTE C/SEGNAL. ROSSO	PUSH BUTTON	8433550		●		●	●						
70	ASS. TUBO SCAMB.-POMPA	PUMP-PRIMARY EXCHANG. PIPE	5625690	●	●	●	●							
70	ASS. TUBO SCAMB.-POMPA	PUMP-PRIMARY EXCHANG. PIPE	5636690					●						
71	GUARNIZIONE G1 22X30,3X2 WRC	GASKET G1	5405000	●	●	●	●	●						
72	POMPA DYL 30-15	PUMP DYL	5625810	●	●	●	●					A915		S
72	POMPA DYL 50-15 P-SALMSON	PUMP DYL	5627670					●				A915		S
72	POMPA UPS 15-50 AO	PUMP UPS	5625820	●	●	●	●							
72	POMPA UPS 15-60 AO-GRUNDFOS	PUMP UPS	5627680					●				A915		S
72	POMPA DYL 43-15	PUMP DYL	5650550	●	●	●	●				A915	A946		S
72	POMPA DYL 53-15	PUMP DYL	5650540					●			A915	A946		S
72	POMPA UPS 15-60 AO 240V	PUMP UPS	5628910					●			A915			
72	POMPA WILO RS 15/5-3	PUMP WILO RS	5653100	●	●	●	●				A946			
73	VALV. SFOGO ARIA-ROBOCAL 502630	AUTOMATIC AIR VENT VALVE	5625830	●	●	●	●	●						
74	ANELLO OR 14X1,78 EP	OR 14X1,78 EP	5406360	●	●	●	●	●						
76	SCAMB. 14 PIASTRE -ALFA LAVAL-	DHW PLATE EXCHANGER	5633110					●						
76	SCAMB. 12 PIASTRE -ALFA LAVAL-	DHW PLATE EXCHANGER	5625460		●	●	●							
77	GUARNIZIONE SCAMB. A PIASTRE	DHW PLATE EXCHANGER GASKET	5404520		●	●	●	●						
80	GR. RIEMPIMENTO RIT. RADIATORI	HYDRAULIC INLET GROUP	5628210	●										
80	GRUPPO ES-RR	HYDRAULIC INLET GROUP	5624530			●	●	●						
80	GRUPPO ES-RR	HYDRAULIC INLET GROUP	5624530		●							A704		S
80	GRUPPO ES-RR S/RIEMP.	HYDRAULIC INLET GROUP	5628640		●						A704			
81	GR. FILTRO OTTURATORE	FILTER ASSEMBLY	5630230		●	●	●	●						
82	ASS. OTTURATORE	REAR PLUG ASSEMBLY	5630170		●	●	●	●						
84	FILTRO D.14,3 -8-	FILTER D14,3	5109190		●	●	●	●				A803		N
84	FILTRO D.13,5 -8-	FILTER D13,5	5111180		●	●	●	●			A803			
85	ANELLO OR 20,63X2,62 E.P. -7-	OR 20,63X2,62 EP	5405350	●	●	●	●	●						
86	CORPO DISTRIBUT. RITORNO -1-	BRASS BODY	5207650			●	●	●						
86	CORPO DISTRIBUT. RITORNO -1-	BRASS BODY	5207650		●							A704		S
86	CORPO DISTRIBUT. RITORNO MT -1-	BRASS BODY	5208690	●										
87	ASS. CODOLO POMPA-DADO G1	PUMP CONNECTION ELEMENT	5630160	●	●	●	●	●						
90	GR. RIEMPIMENTO	FILLING ASSEMBLY	5630180		●	●	●	●						
91	RUBINETTO SCARICO-337121	DRAIN TAP	5625450	●	●	●	●	●				A928		S
91	RUBIN. OT. SCAR. CALD. 337221	DRAIN TAP	5652030	●	●	●	●	●			A928			

# LUNA ATM

CAB4120X690-1-2 - LUNA 1 20 P  
 CAB41220X690 - 1 LUNA AIR 20 I  
 CAB41220X690-1 - LUNA 20 I  
 CAB41220X690-1-2 - LUNA 20 I  
 CAB41224X690-1 - LUNA 24 I

Pos.	Descrizione	Description	Codice ricambio	ATM 10	ATM 11	ATM 12	ATM 13	ATM 14			Matr. iniz.	Matr. fin.	Int.	Note
92	VALV. SIC. M G1/2 ISPEZ. 312432CST	HYDRAULIC SAFETY VALVE	5628980	●	●	●	●	●						
96	ASS. TUBO HP (PRESA +)	POSITIVE PRESSURE PIPE CONNECTION	5625780		●	●	●	●						
97	ASS. TUBO LP (PRESA -)	NEGATIVE RPRESSION PIPE CONNECTION	5625790		●	●	●	●						
98	ASS. TUBO BY-PASS MONOT.	BY-PASS PIPE	5628240	●										
98	ASS. TUBO BY-PASS	BY-PASS PIPE	5625760		●	●	●	●						
99	CLIP PER TUBO D.12	PIPE CLIP	5108130	●	●	●	●	●						
100	ANELLO OR 13,94X2,62 EPDM	OR 13,94X2,62 EPDM	5406630	●	●	●	●	●						
101	ASS. V3V-PRESSOSTATO-SENSORE	3 P.VALVE/PRESS./SENSOR ASSEMBLY	5624520		●	●	●	●				A741	S	
101	ASS. V3V-PRESSOSTATO-SENSORE	3 P.VALVE/PRESS./SENSOR ASSEMBLY	5646210		●	●	●	●			A741			
102	GR. PRESSOST./BY-PASS/M.R.	PRESS/BY-PASS/MR ASSEMBLY	5628230	●										
102	GR. V3V-PRESSOSTATO	3 P.VALVE/PRESSURE SWITCH GROUP	5629960		●	●	●	●				A741	S	
102	GR. V3V-PRESSOSTATO	3 P.VALVE/PRESSURE SWITCH GROUP	5646200		●	●	●	●			A741			
103	GR. SENSORE	SENSOR ASSEMBLY	5629950		●	●	●	●						
104	RACCORDO USCITA SANITARIO -26-	DHW OUTLET CONNECTION	5206670		●	●	●	●						
106	VITE M5X12TCI-DIN 912 -57-	SCREW M5X12	8101430		●	●	●	●						
107	ASS. RACCORDO GUIDA ASTINA	PIN CONNECTION ASSEMBLY	5630250	●	●	●	●	●						
108	VITE M4X12TC INOX 304 -40-	SCREW M4X12TC	8101420	●	●	●	●	●						
109	GUARNIZIONE 10X14X1,5 AL -63-	GASKET	5207810	●	●	●	●	●						
110	MOLLA TIPO 25 BIS -34-	SPRING 25 BIS	8380530	●	●	●	●	●						
111	ASS. PIATTELLO PRESSOSTATO	PRESSOSTAT PLATE	5630240	●	●	●	●	●						
112	MEMBRANA CON ORECCHIETTA -4-	DIAPHRAGM DHW PRESSOSTAT	5405960	●										
112	MEMBRANA PRESSOSTATO -32-	DIAPHRAGM DHW PRESSOSTAT	5405320		●	●	●	●						
113	GR. MANDATA BY-PASS	BY-PASS OUTLET ASSEMBLY	5630190		●	●	●	●						
113	GR. MANDATA BY-PASS MT	BY-PASS OUTLET ASSEMBLY	5635220	●										
114	ANELLO OR 26,64X2,62 E.P. -50-	OR 26,64X2,62 EP	5403820		●	●	●	●						
115	GR. OTTUR. BY-PASS 100115+E0027	BY-PASS REAR PLUG ASSEMBLY	5645660	●	●	●	●	●						
117	GR. PIATTELLO SANITARIO	DHW PLATE ASSEMBLY	5642970		●	●	●	●				A741	S	
117	ASS. PIATTELLO SANIT. 10.0213	DHW PLATE ASSEMBLY	5646180		●	●	●	●			A741			
118	MOLLA CONICA -39-	CONIC SPRING	8380520		●	●	●	●						
119	ASS. PIATTELLO RISCALDAMENTO	HEATING PLATE ASSEMBLY	5630210		●	●	●	●				A741	S	
119	ASS. PIATTELLO RISC. 10.0214	HEATING PLATE ASSEMBLY	5646170		●	●	●	●			A741			
120	GR. OTTURATORE SANITARIO	DHW REAR PLUG ASSEMBLY	5630220		●	●	●	●				A741	S	
120	GR. OTTURATORE SANIT. 10.0193	DHW REAR PLUG ASSEMBLY	5646190		●	●	●	●			A741			
121	VITE M5X10TEI INOX 304-13/21/43	SCREW M5X10 TEI	8101410	●	●	●	●	●						
122	ANELLO OR 23,47X2,62 E.P. -49-	OR 23,47X2,62 EP	5405370	●	●	●	●	●						
123	VITE M5X13TC INOX 304 -71-	SCREW M5X13 TC	8101440		●	●	●	●						
124	MOLLA -70-	SPRING	8380540		●	●	●	●						
125	ASS. SPINGI MICRO	FRONTAL PLUG GROUP	5630260		●	●	●	●						
126	ASS. PIATTELLO SENSORE	SENSOR PLATE ASSEMBLY	5630270		●	●	●	●						
127	MEMBRANA SENSORE -69-	SENSOR DIAPHRAGM	5405330		●	●	●	●						
128	ANELLO OR 2,6X1,9 E.P. -61-	OR 2,6X1,9 EP	5405400		●	●	●	●						
129	NOTTOLINO GUIDA ASTINA -64-	PIN GUIDE	5207860		●	●	●	●						
130	ASS. MICRO C/LEVA	3 PV MICROSWITCH ASSEMBLY	5625770	●	●	●	●	●						
131	SONDA -SO10051-	NTC SENSOR	9950930	●	●	●	●	●						S
131	SONDA RAPIDA HONEYWELL -SO11001-	NTC SENSOR	8434820	●	●	●	●	●						
132	GUARNIZIONE SONDA 10X14X1,5	NTC GASKET	5402830		●	●	●	●						
135	TERMOSTATO LIMITE 105°C -ELTH-	SAFETY THERMOSTAT	8433650					●						S
135	TERMOSTATO LIMITE 105°C -TOD-	SAFETY THERMOSTAT	8432560	●	●	●	●	●				A609	S	
135	TERMOSTATO LIMITE 105°C -ELTH-	SAFETY THERMOSTAT	8433650	●	●	●	●	●			A609		S	
135	TERMOSTATO LIMITE 105°C -TEXAS-	SAFETY THERMOSTAT	8434420	●	●	●	●	●						
136	ASS. TUBO SCAMB.-V3V	3PV-PRIMARY EXCHANGER PIPE	5625700		●	●	●	●						
136	ASS. TUBO SCAMB.-M.R.	3PV-PRIMARY EXCHANGER PIPE	5628040	●										
136	ASS. TUBO SCAMB.-V3V	3PV-PRIMARY EXCHANGER PIPE	5636700					●						
137	ASS. TUBO ALIMENT. GAS TANDEM/VK	GAS PIPE	5626060		●		●	●						
137	ASS. TUBO ALIMENTAZ. GAS	GAS PIPE	5625630	●		●	●	●						
138	ANELLO OR 22,22X2,62	OR 22,22X2,62	5402010		●		●	●						(6)
138	ANELLO OR 28,24X2,62	OR 28,24X2,62	5400400	●	●	●	●	●						
139	RACCORDO ENTR. GAS TANDEM/VK	GAS INLET CONNECTION TANDEM	5206620		●		●	●						
139	RACCORDO ENTRATA GAS-PIL./IONO	GAS INLET CONNECTION PILOT	5206630	●		●	●	●						
140	VALV. GAS HON. VR4605 AA1045-RAPIDA	GAS VALVE HONEYWELL	5627560				●	●				A744	N	(9)
140	VALV. GAS MOD. 837-302 TANDEM (-20)	GAS VALVE TANDEM	5628140		●									
140	VALV. GAS HON. V4600 C1342	GAS VALVE HONEYWELL	5627540	●		●								
140	VALV. GAS MOD. SIT837-011 TANDEM	GAS VALVE SIT	5626050				●	●						
140	VALV. GAS SIT (ACCENS. RAPIDA) ARG	GAS VALVE SIT	5620480			●						A440	S	
140	VALVOLA GAS -NOVA SIT 820-020-	GAS VALVE SIT NOVA	5612920	●										
140	VALVOLA GAS -NOVA SIT 820-020-	GAS VALVE SIT NOVA	5612920		●						A440			



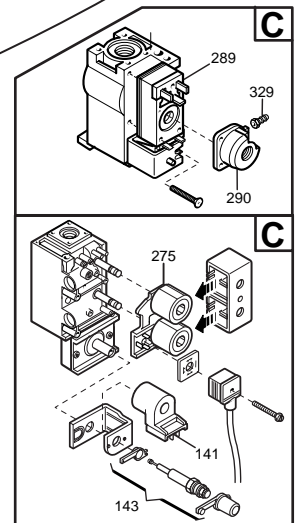
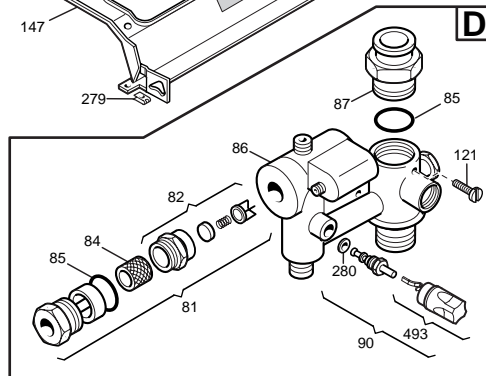
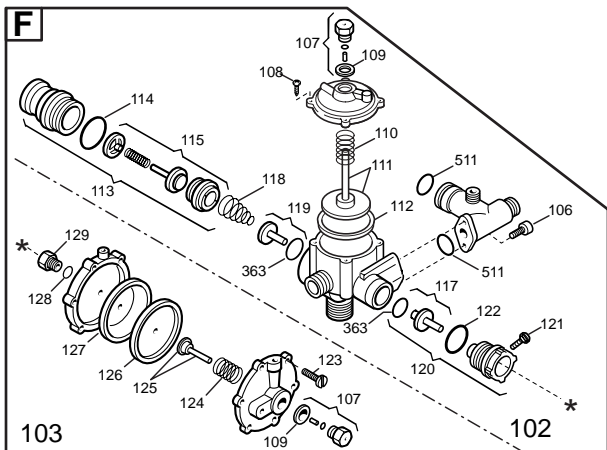
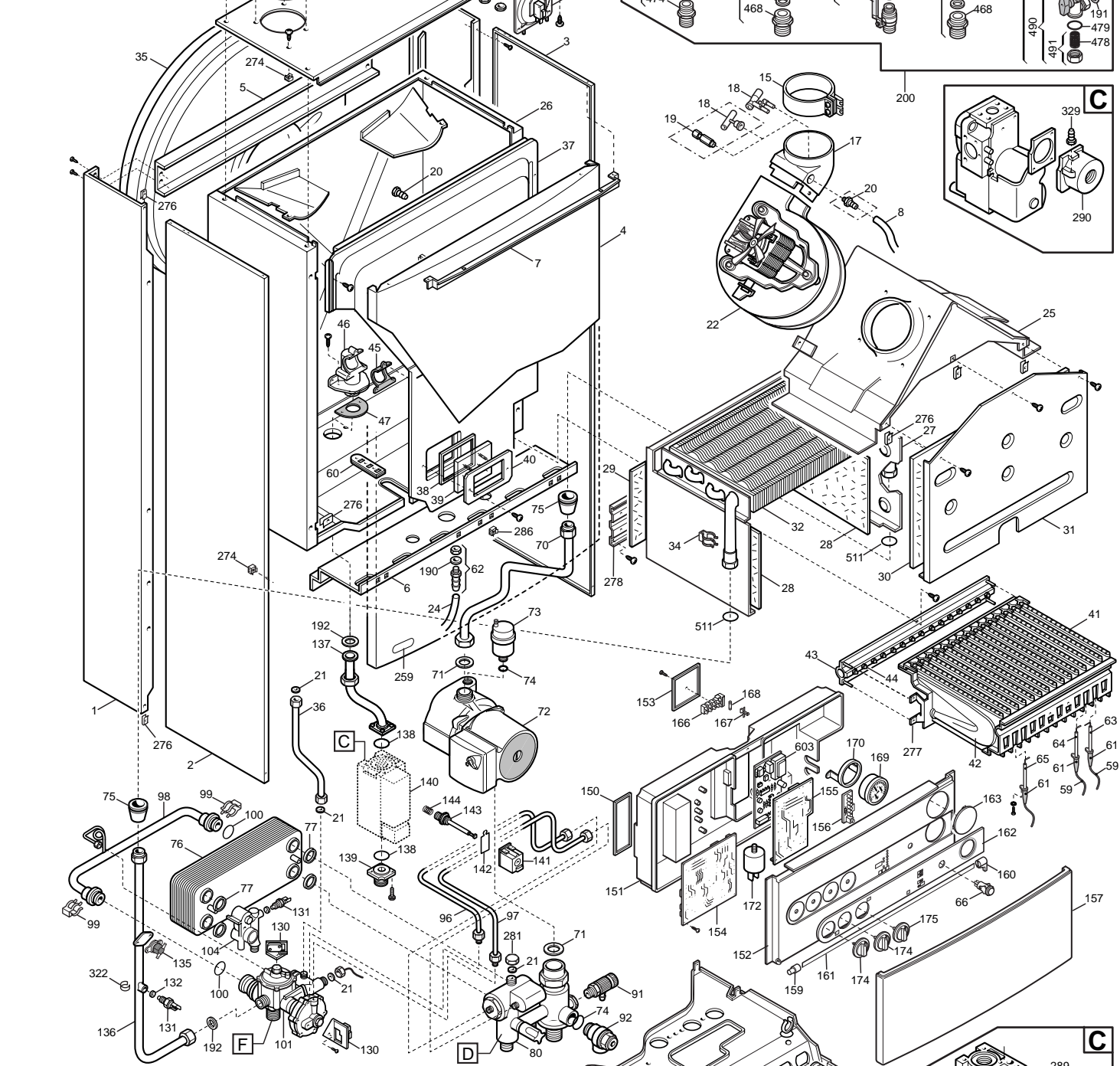
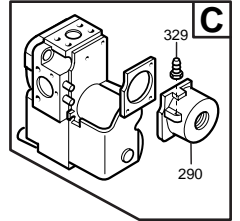
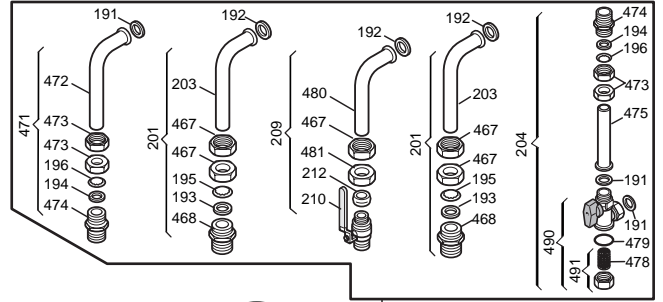
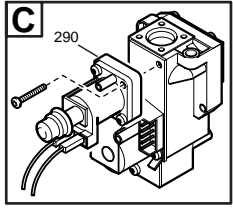


# LUNA ATM

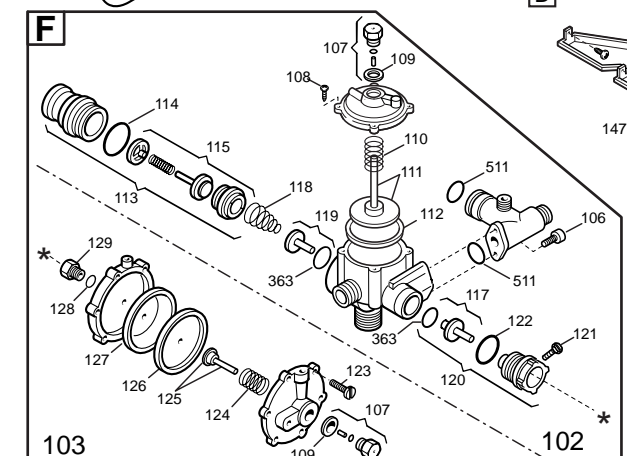
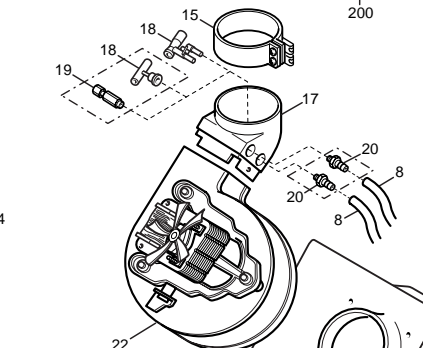
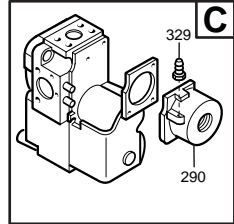
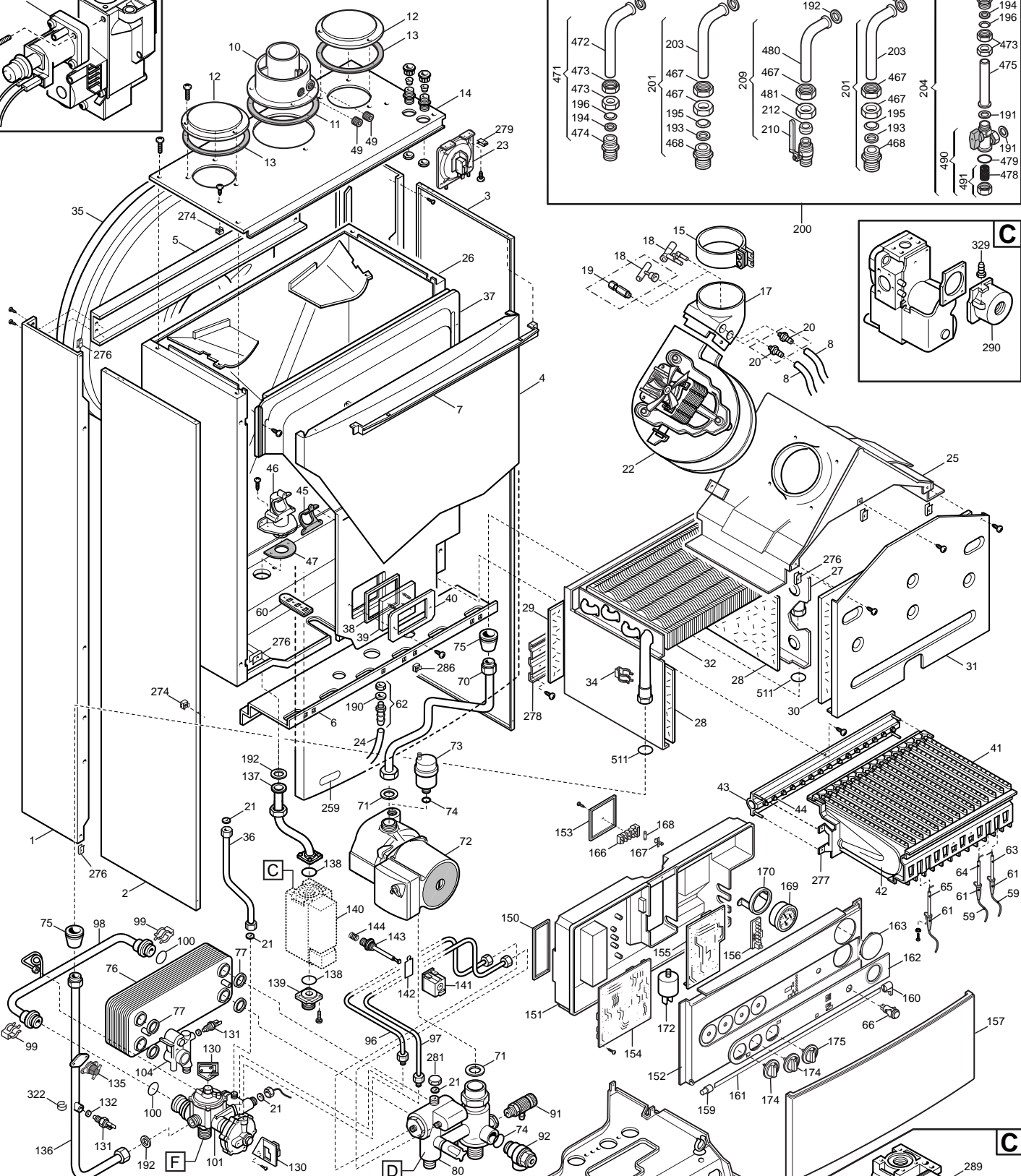
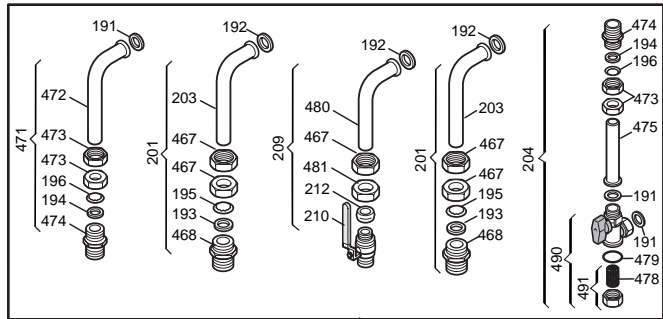
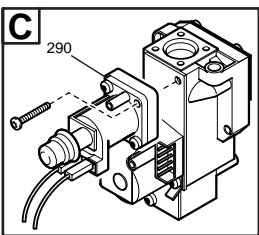
CAB4120X690-1-2-LUNA 1 20 P  
 CAB41220X690 - 1-LUNA AIR 20 I  
 CAB41220X690-1-LUNA 20 P  
 CAB41220X690-1-2-LUNA 20 I  
 CAB41224X690-1-LUNA 24 I

Pos.	Descrizione	Description	Codice ricambio	ATM 10	ATM 11	ATM 12	ATM 13	ATM 14			Matr. iniz.	Matr. fin.	Int.	Note
290	REGOLATORE V5306E-1176-1	REGULATOR	8434000				●	●						
322	MOLLA FIX BULBO	BULBE FIXING SPRING	5102970	●	●	●	●	●						
329	PORTAGOMMA M5	HOSE ADAPTER	5207030					●						
363	ANELLO OR 13,6X2,7 NBRH -38-	OR 13,6X2,7 NBRH	5410020		●	●	●	●						
461	MORSETTIERA 6P-PA35-	JUNCTOR	8422130	●							A647			
467	DADO G3/4 NICHELATO	NUT G3/4	9950310	●		●	●	●						
467	DADO G3/4 NICHELATO	NUT G3/4	9950310		●							A704		
468	NIPPLO G3/4 NICHELATO	CONNECTING ELEMENT G3/4	5627970	●		●	●	●						
468	NIPPLO G3/4 NICHELATO	CONNECTING ELEMENT G3/4	5627970		●							A704		
471	RACCORDO U.S.	U.S. CONNECTION	5625960		●	●	●	●						
472	TUBO U.S. NICHELATO	DHW OUTLET	5627990			●	●	●						
472	TUBO U.S. NICHELATO	DHW OUTLET	5627990		●							A704		
473	DADO G1/2 NICHELATO	NUT G1/2	9950300	●		●	●	●						
473	DADO G1/2 NICHELATO	NUT G1/2	9950300		●							A704		
474	NIPPLO G1/2 NICHELATO	CONNECTING ELEMENT G1/2	5627980	●		●	●	●						
474	NIPPLO G1/2 NICHELATO	CONNECTING ELEMENT G1/2	5627980		●							A704		
475	TUBO D.14 L=100 ES-NICHELATO	D14 PIPE	5628000	●		●	●	●						
475	TUBO D.14 L=100 ES-NICHELATO	D14 PIPE	5628000		●							A704		
478	FILTRO SANITARIO	DHW FILTER	5109090	●		●	●					A605	S	
478	FILTRO SANITARIO	DHW FILTER	5109090		●							A605	S	(20)
479	ANELLO OR 20,35X1,78 NBR	OR 20,35X1,78 NBR	5405190	●		●	●	●						
479	ANELLO OR 20,35X1,78 NBR	OR 20,35X1,78 NBR	5405190		●							A704		
480	TUBO GAS NICHELATO	GAS PIPE	5628010	●		●	●	●						
480	TUBO GAS NICHELATO	GAS PIPE	5628010		●							A704		
481	DADO G3/4 NICHELATO	NUT G3/4	5628030	●		●	●	●						
481	DADO G3/4 NICHELATO	NUT G3/4	5628030		●							A704		
490	RUBINETTO E.S. C/FILTRO-CIMBERIO	DHW INLET TAP WITH FILTER	5625970	●		●	●	●						
490	RUBINETTO E.S. C/FILTRO-CIMBERIO	DHW INLET TAP WITH FILTER	5625970		●							A704		
491	ASS. TAPPO-FILTRO	CAP-FILTER ASSEMBLY	5637070					●						
491	ASS. TAPPO-FILTRO	CAP-FILTER ASSEMBLY	5637070	●		●	●				A605			
491	ASS. TAPPO-FILTRO	CAP-FILTER ASSEMBLY	5637070		●						A605	A704	N	
493	ASS. POMOLO	FILLING KNOB ASSEMBLY	605660		●	●	●	●						
511	ANELLO OR 17,86X2,62 EP -56-	OR 17,86X2,62 EP	5404600	●	●	●	●	●						
999	CABL. GR. COM. MORSET. IONO/FP	CABLE (CONTROL PANEL/JUNCTION)	8416550		●		●	●						
999	CABL. GR. COMANDI/POMPA	PUMP WIRING	8416260	●	●	●	●	●						
999	CABL. GR. COMANDI-MORSETTIERA	JUNCTION WIRING	8416290	●		●								
999	CABL. INTERCONNES. SCHEDE	PCB CONNECTION WIRING	8416320		●		●	●						
999	CABL. MODULATORE	MODULATOR WIRING	8416300	●	●	●	●	●						
999	CABL. PP/PS/TL/TTB	THERMOST./PRESSOST. WIRING	8416330		●		●	●						
999	CABL. PP/PS/TTB	PP/PS/TTB WIRING	8416250			●								
999	CABL. PP/TTB	PP/TTB WIRING	8416590	●								A647	N	
999	CABL. SONDA	NTC WIRING	8416600	●								A647	N	
999	CABL. SONDE	NTC WIRING	8416280		●	●	●	●						
999	CABL. V.G. HON. 20 I	GAS VALVE WIRING	8416350		●		●					A440	N	
999	CABL. V.G. HON. VK4105A	GAS VALVE WIRING	8417470				●	●						
999	CABL. V.G. SIT 20P	GAS VALVE WIRING	8416240	●		●								
999	CABL. V.G. SIT 20 I	GAS VALVE WIRING	8416310				●					A440	N	
999	CABL. VALV. GAS HON. 20P	GAS VALVE WIRING	8416220	●		●								
999	CABL. VALV. GAS HON. 20 I	GAS VALVE WIRING	8416650					●						
999	CABL. VALV. GAS SIT 20 I	GAS VALVE WIRING	8416640		●			●						
999	CAVO ALIMENTAZIONE	POWER SUPPLY CABLE	8414620	●	●	●	●	●						
999	PROLUNGA TERMOCOPPIA/TL	THERMOCOUPLE CABLE EXTENSION	8412310	●		●								
999	PROLUNGA TL/VALVOLA GAS	GAS VALVE CABLE EXTENSION	8412320	●		●								
999	CABL. VALV. GAS HON. 20 I	GAS VALVE WIRING	8416650				●					A440		
999	CABL. VALV. GAS SIT 20 I	GAS VALVE WIRING	8416640				●					A440		
999	CABL. PP/PS/TTB	PP/PS/TTB WIRING	8417170	●								A647		
999	CABL. SONDE	NTC WIRING	8417180	●								A647		

# LUNA-plus



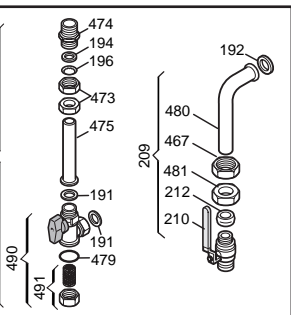
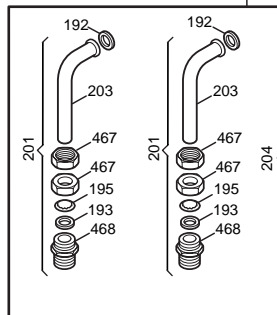
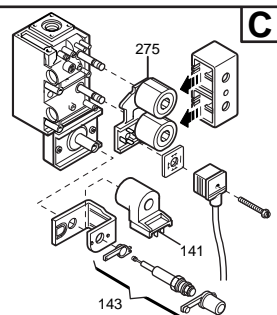
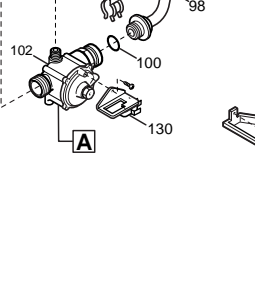
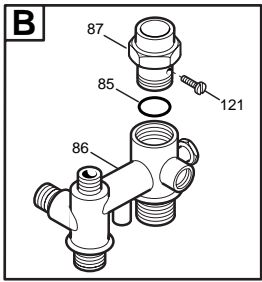
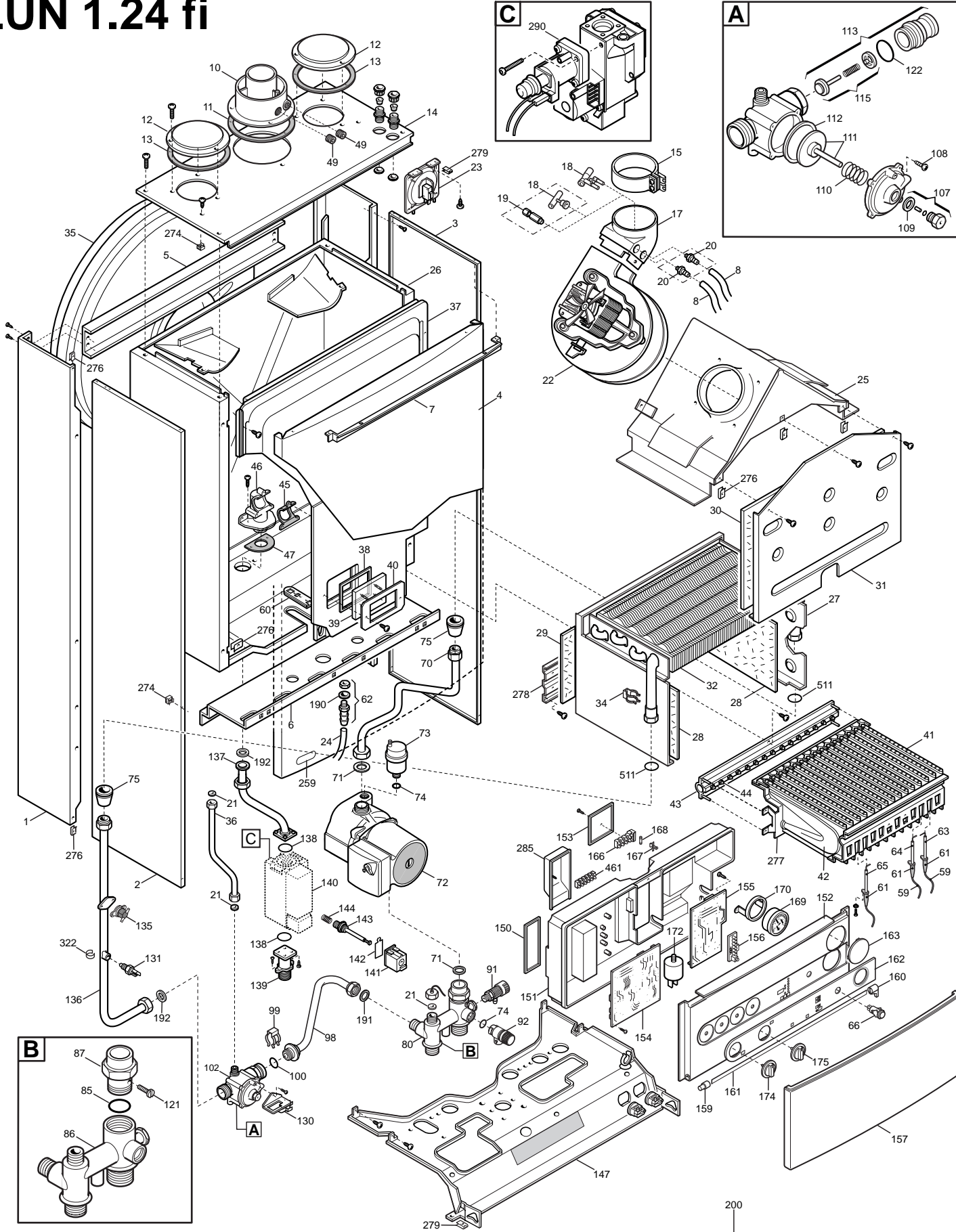
# LUN 24 fi







# LUN 1.24 fi



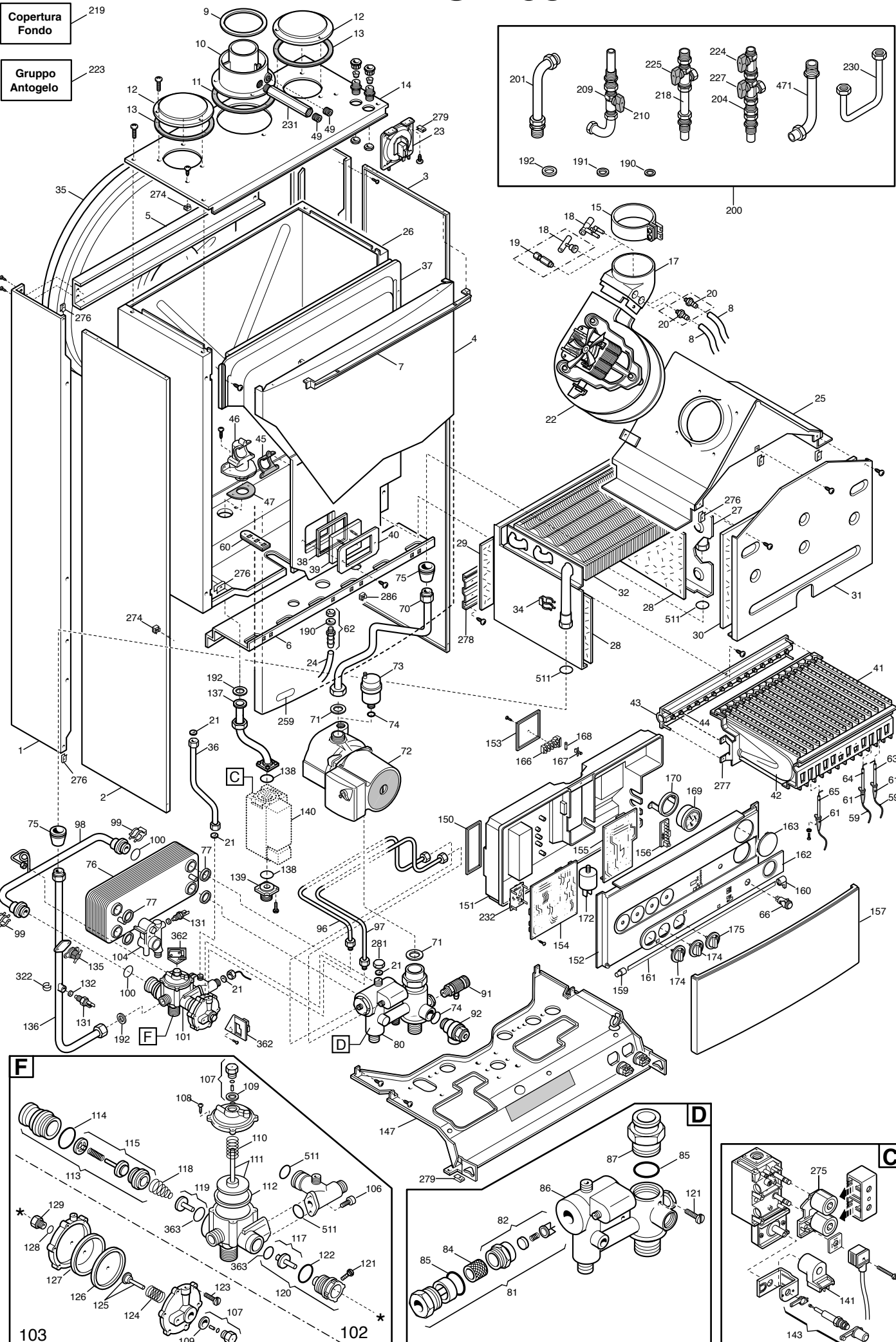




# LUN-03

Copertura Fondo 219

Gruppo Antigelo 223







# LUNA FF

Pos.	Descrizione	Description	Codice ricambio	CAB11520X680-1,2 - LUNA 1 - 20 FI									Matr. iniz.	Matr. fin.	Int.	Note
				LUN 01	LUN 02	LUN 03	LUN 04	LUN 05	LUN 06	LUN 07	LUN 08	LUN 09				
1	MONTANTE VERNICIATO	LATERAL SUPPORT	5625540	●	●	●	●	●	●	●	●	●				
2	ASS. FIANCO SX	LEFT PANEL	5626550	●	●	●	●	●	●	●	●	●				
3	ASS. FIANCO DX	RIGHT PANEL	5626540	●	●	●	●	●	●	●	●	●				
4	ASS. PANN. FRONT. FF S/MARCHIO	BRANDED FRONTAL PANEL	605950									●				
4	ASS. PANN. FRONT. FP/FI S/MARCHIO	BRANDED FRONTAL PANEL	605910	●	●	●	●	●	●	●	●	●				
5	TRAVERSA COLLEG. MONTANTI VERN.	UPPER TRAVERSE	5625580	●		●	●	●	●	●	●	●		A645	S	
5	TRAVERSA COLLEG. MONTANTI	UPPER TRAVERSE	5110290	●	●	●	●	●	●	●	●	●		A645		
6	SUPPORTO VASO ESPANSIONE VERNIC.	LOWER TRAVERSE	5625550	●		●	●	●	●	●	●	●		A529	S	
6	SUPPORTO VASO ESPANSIONE	LOWER TRAVERSE	5109640	●	●	●	●	●	●	●	●	●		A529		
7	TRAVERSA COLLEG. FIANCHI	FRONTAL TRAVERSE	5108170	●	●	●	●	●	●	●	●	●				
8	TUBO PRES. D.3,5X7X1100 NEUTRO	PRESSOSTAT PIPE CONNECTION	5404930			●	●	●	●	●	●	●		A509	N	
8	TUBO PRES. D.4,5X8X1300 ROSSO	PRESSOSTAT PIPE CONNECTION	5404710			●	●	●	●	●	●	●		A509	N	
8	TUBO PRESSOSTATO 4,8 X 8 L=220	PRESSOSTAT PIPE CONNECTION	5405580	●	●	●	●	●	●	●	●	●		A509	B031	S
8	TUBO PRESSOSTATO 4,5 X 8 L=270	PRESSOSTAT PIPE CONNECTION	5408080	●	●	●	●	●	●	●	●	●		B031		
9	RIDUZIONE ASPIRAZIONE D.80	AIR RESTRICTOR	5108700	●		●	●	●	●	●	●	●				
10	RACCORDO FLANG. SCAR. FUMI	FLUE CONNECTION	5207060	●	●	●	●	●	●	●	●	●				
11	GUARNIZIONE RACCORDO	FLUE CONNECTION GASKET	5404790	●	●	●	●	●	●	●	●	●		A949	S	
11	GUARNIZIONE RACCORDO FLANG.	FLUE CONNECTION GASKET	5407890	●	●	●	●	●	●	●	●	●		A949		
12	TAPPO ASPIRAZIONE	SUCTION CAP	5108690	●	●	●	●	●	●	●	●	●				
13	GUARNIZIONE TAPPO ASPIRAZIONE	SUCTION CAP GASKET	5404810	●	●	●	●	●	●	●	●	●		A909	A949	S
13	GUARNIZIONE TAPPO ASPIRAZIONE	SUCTION CAP GASKET	5407400	●	●	●	●	●	●	●	●	●		A949		
14	ASS. CHIUSURA SUPERIORE C.S.	TOP PANEL	5626580	●			●	●	●					A704	S	
14	ASS. CHIUSURA SUPERIORE SPACE 20FI	TOP PANEL	5632010			●										
14	ASS. CHIUSURA SUPERIORE 20 FI SUPER	TOP PANEL	5639940							●						
14	ASS. CHIUSURA SUPERIORE 24 FI	TOP PANEL	5633200		●							●				
14	ASS. CHIUSURA SUPERIORE ES/PT	TOP PANEL	5638190	●			●	●	●					A704		
15	ASS. GIUNTO COLLEG. CURVA D.60X22	CONNECTING JOINT	600530	●	●	●	●	●	●	●	●	●				
17	CURVA 45° CONVOGLIATORE	CONVEYOR BEND 45	5207040	●	●	●	●	●	●	●	●	●		A850	S	
17	CURVA 45° CONVOGLIATORE 1 PRESA	CONVEYOR BEND 45	5208950									●		A850	S	
17	ASS. CURVA 45° VENTURI	CONVEYOR BEND 45	600490	●	●	●	●	●	●	●	●	●		A850		
17	ASS. CURVA VENTURI CON TAPPO	CONVEYOR BEND 45	600520									●		A850		
18	VENTURI	VENTURI ASSEMBLY	5206190	●		●	●	●	●	●	●	●		A637	S	
18	ASS. VENTURI NICHELATO	VENTURI ASSEMBLY	5639230	●	●	●	●	●	●	●	●	●		A637	A802	S
18	VENTURI D.15 RYTON	VENTURI ASSEMBLY	5406670	●	●	●	●	●	●	●	●	●		A802	A850	N
18	VENTURI D.15 DOPPIA PRESA	VENTURI ASSEMBLY	5407050	●	●	●	●	●	●	●	●	●		A850		
19	PRESA PRESSIONE M6	PRESSURE CONTROL POINT ELEMENT	5207100	●	●	●	●	●	●	●	●	●		A850		
20	PORTAGOMMA M6	HOSE ADAPTER M6	5207050									●				
20	PORTAGOMMA M6	HOSE ADAPTER M6	5207050	●	●	●	●	●	●	●	●	●		A850		
21	GUARNIZIONE 4,5X12X1,5 WRC	GASKET	5402080	●	●	●	●	●	●	●	●	●		A727	S	
21	GUARNIZIONE 6,1X11,5X1,5 WRC	GASKET	5402050	●	●	●	●	●	●	●	●	●		A727		
22	VENTILAT. 1V 61W 220/230V	FAN	5630990									●		A918	S	
22	VENTILAT. 1V 61W 220/230V	FAN	5630990		●									A920	S	
22	VENTILAT. ITT 2V-61W RL108/4200	FAN	5627070					●						A509	S	
22	VENTILAT. ITT 61W RL108/4200	FAN	5622080	●										A510	S	
22	VENTILAT. ITT 61W RL108/4200	FAN	5622080			●	●			●	●			A514	S	
22	VENTILAT. 2V 61W 220/230V	FAN	5631610					●						A509	A801	S
22	VENTILAT. 1V 61W 220/230V	FAN	5630990	●										A510	A920	S
22	VENTILAT. 1V 61W 220/230V	FAN	5630990			●	●			●	●			A514	A918	S
22	VENTILAT. 1V 55W 220/230V FIME	FAN	5628070	●	●	●	●			●	●			A527	S	
22	VENTILAT. 2V 55W 220V FIME	FAN	5628080					●						A527	S	
22	VENTILAT. 2V 61W-220/240 SEL	FAN	5646600					●						A801		
22	VENTILAT. 1V 61W 230/240V	FAN	5632530	●	●	●	●			●	●	●		A918		
23	PRESSOSTATO FUMI HON. C6065A1010-2	FLUE PRESSURE SWITCH	5617550									●				
23	PRESSOSTATO FUMI HON. C6065A1010-2	FLUE PRESSURE SWITCH	5617550			●	●	●	●					A509	S	(12)
23	PRESSOSTATO DIFFERENZIALE C6065F1100	FLUE PRESSURE SWITCH	5629560	●	●	●	●	●	●			●		A509	B440	S (14)
23	PRESSOSTATO DIFFERENZIALE FS6000	FLUE PRESSURE SWITCH	5627950	●	●	●	●	●	●					A514	B019	S
23	PRESSOSTATO DIFFERENZIALE FUMI	FLUE PRESSURE SWITCH	5655120	●	●	●	●	●	●					B019	B440	S
23	ASS.PRESSOSTATO 1,2MBAR-VITI	FLUE PRESSURE SWITCH ASSEMBLY	618470	●	●	●	●	●	●					B441		(14)
24	TUBO PRESSOSTATO 4,5X8 L300 AR	PRESSURE SWITCH PIPE	5402490	●	●	●	●	●	●	●	●	●				
25	CONVOGLIATORE FUMI	CONVEYOR ASSEMBLY	5626560	●		●	●	●	●	●	●	●				(11)
25	CONVOGLIATORE FUMI 24 FI	CONVEYOR ASSEMBLY	5633180		●							●				
26	ASS. INVOLUCRO C.S.	SEALED CHAMBER CASE	5626660			●	●	●	●					A431	S	



# LUNA FF

Pos.	Descrizione	Description	Codice ricambio	CAB11520X680-1,2 - LUNA 1 20 FI									Matr. iniz.	Matr. fin.	Int.	Note
				LUN 01	LUN 02	LUN 03	LUN 04	LUN 05	LUN 06	LUN 07	LUN 08	LUN 09				
26	ASS. INVOLUCRO C.S. 24	SEALED CHAMBER CASE	5633540		•							•				
26	ASS. INVOLUCRO C.S. 24 PLUS	SEALED CHAMBER CASE	5640440										•			
26	ASS. INVOLUCRO C.S./P SUPER	SEALED CHAMBER CASE	5639950											•		
26	ASS. INVOLUCRO C.S./P	SEALED CHAMBER CASE	5629660	•		•	•	•	•	•					A431	
27	CAMERA DI COMBUSTIONE	COMBUSTION CHAMBER	5108010	•	•	•	•	•	•	•	•	•	•			S
27	CAMERA COMB. 24 FI-TRAV. C/PAN. I	COMBUSTION CHAMBER	605370	•	•	•	•	•	•	•	•	•	•			
28	PANNELLO ISOLANTE LATERALE	LATERAL INSULATING PANEL	5206730	•	•	•	•	•	•	•	•	•	•		A915	S
28	PANNELLO ISOLANTE LATERALE	LATERAL INSULATING PANEL	5210250	•	•	•	•	•	•	•	•	•	•		A915	S
28	PANN.ISOL.LATERALE 24kW	LATERAL INSULATING PANEL	5213160	•	•	•	•	•	•	•	•	•	•			
29	PANNELLO ISOLANTE POSTERIORE	REAR INSULATING PANEL	5206740	•	•	•	•	•	•	•	•	•	•		A915	S
29	PANNELLO ISOLANTE POSTERIORE	REAR INSULATING PANEL	5210260	•	•	•	•	•	•	•	•	•	•		A915	S
29	PANN.ISOL.POSTERIORE 31kW	REAR INSULATING PANEL	5213290	•	•	•	•	•	•	•	•	•	•			
30	PANNELLO ISOLANTE FRONTALE	FRONTAL INSULATING PANEL	5206750	•	•	•	•	•	•	•	•	•	•		A915	S
30	PANNELLO ISOLANTE FRONTALE	FRONTAL INSULATING PANEL	5210270	•	•	•	•	•	•	•	•	•	•		A915	S
30	PANN.ISOL.FRONTALE 24 ATM	FRONTAL INSULATING PANEL	5213310	•	•	•	•	•	•	•	•	•	•			
31	PARETE FRONTALE CAMERA COMBUST.	COMB. CHAMBER FRONT PLATE	5108030	•	•	•	•	•	•	•	•	•	•			
32	ASS. SCAMB. ACQUA GAS 24 + CLIP	PRIMARY EXCHANGER WITH CLIP	5633570		•							•	•			
32	SCAMB. ACQUA GAS 20/5T (175) C&M	PRIMARY HEAT EXCHANGER ASSEMBLY	5625680	•		•	•	•	•	•					A516	S
32	ASS. SCAMB. H2O-GAS/CLIPS C&M	PRIMARY HEAT EXCHANGER ASSEMBLY	5632470	•		•	•	•	•	•					A516	
34	CLIP TUBI SCAMB. ACQUA GAS	PRIMARY HEAT EXCH. PIPE CLIP	5108550	•		•	•	•	•	•					A516	N
34	CLIP TUBI SCAMB. ACQUA GAS C&M	PRIMARY HEAT EXCH. PIPE CLIP	5112510	•	•	•	•	•	•	•	•	•	•		A516	
35	VASO ESPANSIONE CIRC. 8L ZILMET	EXPANSION VESSEL 8L	5625560	•		•	•	•	•	•						
35	VASO ESPANSIONE CIRC. 10L ZILMET	EXPANSION VESSEL 10L	5608840		•							•	•			
36	ASS. TUBO VASO ESPANSIONE	EXPANSION VESSEL PIPE ASSEMBL.	5625840			•	•	•	•	•	•	•	•			
36	ASS. TUBO VASO ESPANSIONE MT	EXPANSION VESSEL PIPE ASSEMBL.	5628060	•	•											
37	ASS. FRONTALE C.S.	SEALED CHAMBER FRONTAL PLATE	5626630	•	•	•	•	•	•	•	•	•	•			
38	GUARNIZIONE PER VETRINO	GLASS GASKET	5401610	•	•	•	•	•	•	•	•	•	•			
39	VETRINO ISPEZIONE FIAMMA	PILOT SIGH	5203930	•	•	•	•	•	•	•	•	•	•			
40	CORNICE PER VETRINO C.S.	GLASS SUPPORT	5103360	•	•	•	•	•	•	•	•	•	•			
41	ASS. ELEMENTI BRUCIATORE 20 FI	BURNER ASSEMBLY	5631970	•	•	•	•	•	•	•	•	•	•			
41	ASS. ELEMENTI BRUCIATORE 20 FP	BURNER ASSEMBLY	5632490					•								
42	ELEMENTO BRUCIATORE	BURNER ELEMENT	5604090	•	•	•	•	•	•	•	•	•	•			
43	ASS. RAMPA BRUCIATORE 20P/I GPL	GAS RAMP	5628380	•		•	•	•	•	•						
43	ASS. RAMPA BRUCIATORE 20P/I M	GAS RAMP	5625640	•		•	•	•	•	•						
43	ASS. RAMPA BRUCIATORE 24 FI GPL	GAS RAMP	5635890		•						•	•				
43	ASS. RAMPA BRUCIATORE 24 FI M	GAS RAMP	5633140		•						•	•				
44	GR. UGELLI GPL LUNA 24 FI	LPG INJECTORS KIT	5636290		•						•	•				
44	GR. UGELLI GPL LUNA I/FI	LPG INJECTORS KIT	5630570	•		•	•		•	•						
44	GR. UGELLI GPL LUNA P/FP	LPG INJECTORS KIT	5630550					•								
44	GR. UGELLI METANO LUNA 24 FI	NATURAL GAS INJECTORS KIT	5636280		•						•	•				
44	GR. UGELLI METANO LUNA I/FI	NATURAL GAS INJECTORS KIT	5630560	•		•	•		•	•						
44	GR. UGELLI METANO LUNA P/FP	NATURAL GAS INJECTORS KIT	5630540					•								
45	GUARNIZIONE RAMP	GAS RAMP GASKET	5404500	•	•	•	•	•	•	•	•	•	•		B022	S (23)
46	RACCORDO FLANGIATO	ADAPTOR-MANIFOLD	5206660	•	•	•	•	•	•	•	•	•	•		B022	S
46	GR. RACC. FLANG./GUARN.	ASSEMBLY - GAS CONNECTION/GASKET	607990	•	•	•	•	•	•	•	•	•	•		B022	
47	GUARNIZIONE RACCORDO RAMP C.S.	RAMP CONNECTION GASKET	5404760	•	•	•	•	•	•	•	•	•	•			
49	TAPPO M14X1 RAC. FLANG.	PLUG M14X1	5207070	•	•	•	•	•	•	•	•	•	•			
50	BRUC. PILOTA D.0,27 LUNA METANO	PILOT BURNER	5625670					•								
51	PROTEZIONE PILOTA	PILOT PROTECTION	5108800					•								
52	UGELLO PILOTA D.0,14 GPL	PILOT INJECTOR (LPG)	5201570					•								
52	UGELLO PILOTA D.0,27	PILOT INJECTOR (NATURAL GAS)	5201550					•								
53	BICONO PER TARGET	DOUBLE CONE CONNECTION	5202460					•								
54	RACCORDO PER TARGET	PILOT PIPE CONNECTION	5202470					•								
55	TUBO ALIMENT. PILOTA 20FP	PILOT FILLING PIPE	5207160					•								
56	ASS. RACCORDO BICONO HON.	PILOT PIPE CONNECTION TO HONEY. GV	5600670					•								
57	TERMOCOPPIA L=320	THERMOCOUPLE L320	5625660					•								
58	CANDELA PER TARGET	ELECTRODE	8420930					•								
59	CAVO CANDELA L=620 F2,8X0,8+D.2,4	ELECTRODE CABLE	8416420			•	•		•	•						S
59	CAVO CAND.L-600-F2,8X0,8XD.2,4	ELECTRODE CABLE	8417440			•	•		•	•					A440	N
59	CAVO CANDELA L=620 F2,8X0,8+D.2,4	ELECTRODE CABLE	8416420					•							A713	S
59	CAVO CANDELA L=620-2FF 2,8X0,8-	ELECTRODE CABLE	8416630			•	•		•	•				A440	A449	S
59	CAVO DOP. CANDELA L=620-4FF 2,8X0,8	ELECTRODE CABLE	8416730	•	•	•			•	•				A449	A713	S

# LUNA FF

Pos.	Descrizione	Description	Codice ricambio	CAB/1520X680-1,2 - LUNA 1 20 FI									Matr. iniz.	Matr. fin.	Int.	Note	
				LUN 01	LUN 02	LUN 03	LUN 04	LUN 05	LUN 06	LUN 07	LUN 08	LUN 09					
59	CAVO CANDELA L=600-F 2,8X0,8XD.2,4	ELECTRODE CABLE	8417440						●					A713			
59	CAVO CANDELA L=700-2FF 2,8X0,8	ELECTRODE CABLE	8417430	●	●	●	●			●	●	●	●	A713			
60	GUARNIZIONE ACCENS. SICUREZZA	ELECTRODE CABLE GASKET	5404910					●							A751	S	
60	GUARNIZIONE CAVI CANDELE (3F)	ELECTRODE CABLE GASKET	5404830	●	●	●	●			●	●	●	●		A751	S	
60	GUARNIZIONE CAVI CANDELE (FI)	ELECTRODE CABLE GASKET	5406600	●	●	●	●			●	●	●	●	A751			
60	GUARNIZIONE CAVI CANDELE (FP)	ELECTRODE CABLE GASKET	5406610					●						A751			
61	CUFFIA PER CANDELA	ELECTRODE PROTECTION CAP	5404920	●	●	●	●	●	●	●	●	●	●				
62	GR. PRESA DI PRES. C/PORTAGOMMA	HOSE ADAPTER ASSEMBLY	5643090	●	●	●	●	●	●	●	●	●	●				
63	CANDELA ACCENSIONE DX B.NOX	RIGHT IGNITION ELECTRODE	8422000		●						●	●			B002	S	
63	CANDELA ACCENSIONE DX	RIGHT IGNITION ELECTRODE	8421860			●	●			●	●				A440	S	(7)
63	CANDELA ACCENSIONE DX -M 2,8X0,8-	RIGHT IGNITION ELECTRODE	8421950	●		●	●			●	●				A440	A527	S
63	CANDELA ACCENSIONE DX B.NOX	RIGHT IGNITION ELECTRODE	8422000	●	●	●	●			●	●				A527	B002	S
63	CANDELA ACCENSIONE DX E RILEV.	RIGHT IGNITION ELECTRODE	8422570	●	●	●	●			●	●	●	●		B002		
64	CANDELA ACCENSIONE SX B.NOX	LEFT IGNITION ELECTRODE	8422010		●						●	●			B002	S	
64	CANDELA ACCENSIONE SX -M 2,8X0,8-	LEFT IGNITION ELECTRODE	8421960	●											A527	S	
64	CANDELA ACCENSIONE SX	LEFT IGNITION ELECTRODE	8421870			●	●			●	●				A440	S	(8)
64	CANDELA ACCENSIONE SX -M 2,8X0,8-	LEFT IGNITION ELECTRODE	8421960			●	●			●	●				A440	A527	S
64	CANDELA ACCENSIONE SX B.NOX	LEFT IGNITION ELECTRODE	8422010	●	●	●	●			●	●				A527	B002	S
64	CANDELA ACCENSIONE SX	LEFT IGNITION ELECTRODE	8422580	●	●	●	●			●	●	●	●		B002		
65	CANDELA RIVELAZIONE	SENSING ELECTRODE	8421880			●	●			●	●				A440	S	(10)
65	CANDELA RIVELAZIONE -M 2,8X0,8-	SENSING ELECTRODE	8421970	●	●	●	●			●	●	●	●		A440	B002	S (16)
66	PULSANTE C/SEGNA. ROSSO	PUSH BUTTON	8433550	●	●	●	●			●	●	●	●				
70	ASS. TUBO SCAMB.-POMPA	PUMP-PRIMARY EXCHANG. PIPE	5625690	●	●	●	●	●	●	●	●	●	●				
71	GUARNIZIONE G1 22X30,3X2 WRC	GASKET G1	5405000	●	●	●	●	●	●	●	●	●	●				
72	POMPA DYL 30-15	PUMP DYL	5625810	●			●	●	●	●					A915	S	
72	POMPA UPS 15-50 AO	PUMP UPS	5625820	●		●	●	●	●	●							
72	POMPA UPS 15-60 AO GRUNDFOS	PUMP UPS	5627680		●										A915	S	
72	POMPA DYL 43-15	PUMP DYL	5650550	●			●	●	●	●					A915	A946	S
72	POMPA UPS 15-60 AO 240V	PUMP UPS	5628910		●						●	●			A915		
72	POMPA WILO RS 15/5-3	PUMP WILO RS	5653100	●			●	●	●	●					A946		
73	VALV. SFOGO ARIA ROBOCAL 502630	AUTOMATIC AIR VENT VALVE	5625830	●	●	●	●	●	●	●	●	●	●				
74	ANELLO OR 14X1,78 EP	OR 14X1,78 EP	5406360	●	●	●	●	●	●	●	●	●	●				
75	GUARNIZIONE TUBI ACQUA C.S.	SEALED CHAMB. CONNECT. PIPE GASKET	5404670	●	●	●	●	●	●	●	●	●	●				
76	SCAMB. 14 PIASTRE ALFA LAVAL	DHW PLATE EXCHANGER	5633110								●	●					
76	SCAMB. 12 PIASTRE ALFA LAVAL	DHW PLATE EXCHANGER	5625460			●	●	●	●	●							
77	GUARNIZIONE SCAMB. A PIASTRE	DHW PLATE EXCHANGER GASKET	5404520			●	●	●	●	●	●	●	●				
80	GR. RIEMPIMENTO RIT. RADIATORI	HYDRAULIC INLET GROUP	5628210	●	●												
80	GRUPPO ES-RR	HYDRAULIC INLET GROUP	5624530					●	●	●	●				A703	S	
80	GRUPPO ES-RR	HYDRAULIC INLET GROUP	5624530					●	●	●	●						
80	GRUPPO ES-RR S/RIEMP.	HYDRAULIC INLET GROUP	5628640			●									A703		
80	GRUPPO ES-RR S/RIEMP.	HYDRAULIC INLET GROUP	5628640			●											
81	GR. FILTRO OTTURATORE	FILTER ASSEMBLY	5630230			●	●	●	●	●	●	●	●				
82	ASS. OTTURATORE	REAR PLUG ASSEMBLY	5630170			●	●	●	●	●	●	●	●				
84	FILTRO D.14,3 -8-	FILTER D14,3	5109190			●	●	●	●	●	●	●	●		A803	N	
84	FILTRO D.13,5 -8-	FILTER D13,5	5111180			●	●	●	●	●	●	●	●		A803		
85	ANELLO OR 20,63X2,62 E.P. -7-	OR 20,63X2,62 EP	5405350	●	●	●	●	●	●	●	●	●	●				
86	CORPO DISTRIBUT. RIT. S/RIEMP. -1-	BRASS BODY	5207870			●											
86	CORPO DISTRIBUT. RITORNO -1-	BRASS BODY	5207650					●	●	●	●	●	●				
86	CORPO DISTRIBUT. RITORNO -1-	BRASS BODY	5207650					●	●	●	●	●	●		A703		
86	CORPO DISTRIBUT. RITORNO MT -1-	BRASS BODY	5208690	●	●												
86	CORPO DISTRIBUT. RIT. S/RIEMP. -1-	BRASS BODY	5207870					●	●	●	●	●	●		A703		
87	ASS. CODOLO POMPA-DADO G1	PUMP CONNECTION ELEMENT	5630160	●	●	●	●	●	●	●	●	●	●				
90	GR. RIEMPIMENTO	FILLING ASSEMBLY	5630180					●	●	●	●	●	●				
90	GR. RIEMPIMENTO	FILLING ASSEMBLY	5630180					●	●	●	●	●	●		A703		
91	RUBINETTO SCARICO 337121	DRAIN TAP	5625450	●	●	●	●	●	●	●	●	●	●		A928	S	
91	RUBIN. OT. SCAR. CALD. 337221	DRAIN TAP	5652030	●	●	●	●	●	●	●	●	●	●		A928		
92	VALV. SIC. M G1/2 ISPEZ. 312432CST	HYDRAULIC SAFETY VALVE	5628980	●	●	●	●	●	●	●	●	●	●				
96	ASS. TUBO HP (PRESA +)	POSITIVE PRESSURE PIPE CONNECTION	5625780			●	●	●	●	●	●	●	●				
97	ASS. TUBO LP (PRESA -)	NEGATIVE RPESSURE PIPE CONNECTION	5625790			●	●	●	●	●	●	●	●				
98	ASS. TUBO BY-PASS MONOT.	BY-PASS PIPE	5628240	●	●												
98	ASS. TUBO BY-PASS	BY-PASS PIPE	5625760			●	●	●	●	●	●	●	●				
99	CLIP PER TUBO D.12	PIPE CLIP	5108130	●	●	●	●	●	●	●	●	●	●				

# LUNA FF

Pos.	Descrizione	Description	Codice ricambio	<div style="display: flex; justify-content: space-between;"> <div style="writing-mode: vertical-rl; transform: rotate(180deg); font-size: 8px;">CAB11520X680-1,2 - LUNA 1 - 20 FI</div> <div style="writing-mode: vertical-rl; transform: rotate(180deg); font-size: 8px;">CAB11524X680 - LUNA 1 - 24 FI</div> <div style="writing-mode: vertical-rl; transform: rotate(180deg); font-size: 8px;">CAB11620X680-1 - LUNA 1 - 24 FI</div> <div style="writing-mode: vertical-rl; transform: rotate(180deg); font-size: 8px;">CAB11620X680-1 - LUNA SPACE 20 FI</div> <div style="writing-mode: vertical-rl; transform: rotate(180deg); font-size: 8px;">CAB11620X680-1 - LUNA AIR 20 FI</div> <div style="writing-mode: vertical-rl; transform: rotate(180deg); font-size: 8px;">CAB11620X680-1,2 - LUNA 20 FI</div> <div style="writing-mode: vertical-rl; transform: rotate(180deg); font-size: 8px;">CAB11624X680 - LUNA SUPER 20 FI</div> <div style="writing-mode: vertical-rl; transform: rotate(180deg); font-size: 8px;">CAB11624X680 - LUNA PLUS 24 FI</div> </div>									LUN 01	LUN 02	LUN 03	LUN 04	LUN 05	LUN 06	LUN 07	LUN 08	LUN 09	Matr. iniz.	Matr. fin.	Int.	Note
100	ANELLO OR 13,94X2,62 EPDM	OR 13,94X2,62 EPDM	5406630	●	●	●	●	●	●	●	●	●													
101	ASS. V3V-PRESSOSTATO-SENSORE	3 P.VALVE/PRESS./SENSOR ASSEMBLY	5624520			●	●	●	●	●	●	●		A741		S									
101	ASS. V3V-PRESSOSTATO-SENSORE	3 P.VALVE/PRESS./SENSOR ASSEMBLY	5646210			●	●	●	●	●	●	●		A741											
102	GR. PRESSOST./BY-PASS/M.R.	PRESS/BY-PASS/MR ASSEMBLY	5628230	●	●																				
102	GR. V3V-PRESSOSTATO	3 P.VALVE/PRESSURE SWITCH GROUP	5629960			●	●	●	●	●	●	●			A741	S									
102	GR. V3V-PRESSOSTATO	3 P.VALVE/PRESSURE SWITCH GROUP	5646200			●	●	●	●	●	●	●		A741											
103	GR. SENSORE	SENSOR ASSEMBLY	5629950			●	●	●	●	●	●	●													
104	RACCORDO USCITA SANITARIO -26-	DHW OUTLET CONNECTION	5206670			●	●	●	●	●	●	●													
106	VITE M5X12TCEI-DIN 912 -57-	SCREW M5X12	8101430			●	●	●	●	●	●	●													
107	ASS. RACCORDO GUIDA ASTINA	PIN CONNECTION ASSEMBLY	5630250	●	●	●	●	●	●	●	●	●													
108	VITE M4X12TC INOX 304 -40-	SCREW M4X12TC	8101420	●	●	●	●	●	●	●	●	●													
109	GUARNIZIONE 10X14X1,5 AL -63-	GASKET	5207810	●	●	●	●	●	●	●	●	●													
110	MOLLA TIPO 25 BIS -34-	SPRING 25 BIS	8380530	●	●	●	●	●	●	●	●	●													
111	ASS. PIATTELLO PRESSOSTATO	PRESSOSTAT PLATE	5630240	●	●	●	●	●	●	●	●	●													
112	MEMBRANA CON ORECCHIETTA -4-	DIAPHRAGM DHW PRESSOSTAT	5405960	●	●																				
112	MEMBRANA PRESSOSTATO -32-	DIAPHRAGM DHW PRESSOSTAT	5405320			●	●	●	●	●	●	●													
113	GR. MANDATA BY-PASS	BY-PASS OUTLET ASSEMBLY	5630190			●	●	●	●	●	●	●													
113	GR. MANDATA BY-PASS MT	BY-PASS OUTLET ASSEMBLY	5635220	●	●																				
114	ANELLO OR 26,64X2,62 E.P. -50-	OR 26,64X2,62 EP	5403820			●	●	●	●	●	●	●													
115	GR. OTTUR. BY PASS -100115+E0027	BY-PASS REAR PLUG ASSEMBLY	5645660	●	●	●	●	●	●	●	●	●													
117	GR. PIATTELLO SANITARIO	DHW PLATE ASSEMBLY	5642970			●	●	●	●	●	●	●		A741		S									
117	ASS. PIATTELLO SANITARIO 10.0213	DHW PLATE ASSEMBLY	5646180			●	●	●	●	●	●	●		A741											
118	MOLLA CONICA -39-	CONIC SPRING	8380520			●	●	●	●	●	●	●													
119	ASS. PIATTELLO RISCALDAMENTO	HEATING PLATE ASSEMBLY	5630210			●	●	●	●	●	●	●		A741		S									
119	ASS. PIATTELLO RISC. 10.0214	HEATING PLATE ASSEMBLY	5646170			●	●	●	●	●	●	●		A741											
120	GR. OTTURATORE SANITARIO	DHW REAR PLUG ASSEMBLY	5630220			●	●	●	●	●	●	●		A741		S									
120	GR. OTTURATORE SANITARIO 10.0193	DHW REAR PLUG ASSEMBLY	5646190			●	●	●	●	●	●	●		A741											
121	VITE M5X10TEI INOX 304-13/21/43	SCREW M5X10 TEI	8101410	●	●	●	●	●	●	●	●	●													
122	ANELLO OR 23,47X2,62 E.P. -49-	OR 23,47X2,62 EP	5405370	●	●	●	●	●	●	●	●	●													
123	VITE M5X13TC INOX 304 -71-	SCREW M5X13 TC	8101440			●	●	●	●	●	●	●													
124	MOLLA -70-	SPRING	8380540			●	●	●	●	●	●	●													
125	ASS. SPINGI MICRO	FRONTAL PLUG GROUP	5630260			●	●	●	●	●	●	●													
126	ASS. PIATTELLO SENSORE	SENSOR PLATE ASSEMBLY	5630270			●	●	●	●	●	●	●													
127	MEMBRANA SENSORE -69-	SENSOR DIAPHRAGM	5405330			●	●	●	●	●	●	●													
128	ANELLO OR 2,6X1,9 E.P. -61-	OR 2,6X1,9 EP	5405400			●	●	●	●	●	●	●													
129	NOTTOLINO GUIDA ASTINA -64-	PIN GUIDE	5207860			●	●	●	●	●	●	●													
130	ASS. MICRO C/LEVA	3 PV MICROSWITCH ASSEMBLY	5625770	●	●			●	●	●	●	●													
131	SONDA -SO10051-	NTC SENSOR	9950930	●	●	●	●	●	●	●	●	●					S								
131	SONDA RAPIDA HONEYWELL -SO11001-	NTC SENSOR	8434820	●	●	●	●	●	●	●	●	●													
132	GUARNIZIONE SONDA 10X14X1,5	NTC GASKET	5402830			●	●	●	●	●	●	●													
135	TERMOSTATO LIMITE 105°C -TOD-	SAFETY THERMOSTAT	8432560	●	●	●	●	●	●	●	●	●		A609		S									
135	TERMOSTATO LIMITE 105°C -ELTH-	SAFETY THERMOSTAT	8433650	●	●	●	●	●	●	●	●	●		A609		S									
135	TERMOSTATO LIMITE 105°C -TEXAS-	SAFETY THERMOSTAT	8434420	●	●	●	●	●	●	●	●	●													
136	ASS. TUBO SCAMB. V3V	3PV-PRIMARY EXCHANGER PIPE	5625700			●	●	●	●	●	●	●													
136	ASS. TUBO SCAMB. M.R.	3PV-PRIMARY EXCHANGER PIPE	5628040	●	●																				
137	ASS. TUBO ALIMENTAZ. GAS TANDEM/VK	GAS PIPE	5626060	●	●	●	●			●	●	●													
137	ASS. TUBO ALIMENTAZ. GAS	GAS PIPE	5625630	●	●	●	●	●	●	●	●	●													
137	ASS. TUBO ALIMENTAZ. GAS	GAS PIPE	5625630											A806		N									
138	ANELLO OR 22,22X2,62	OR 22,22X2,62	5402010	●	●	●	●			●	●	●					(6)								
138	ANELLO OR 28,24X2,62	OR 28,24X2,62	5400400	●	●			●	●	●	●	●													
138	ANELLO OR 28,24X2,62	OR 28,24X2,62	5400400											A806		N									
138	ANELLO OR 22,22X2,62	OR 22,22X2,62	5402010											A806			(6)								
139	RACCORDO ENTRATA GAS TANDEM/VK	GAS INLET CONNECTION TANDEM	5206620	●	●	●	●			●	●	●													
139	RACCORDO ENTRATA GAS PIL./IONO	GAS INLET CONNECTION PILOT	5206630	●	●	●	●	●	●	●	●	●													
139	RACCORDO ENTRATA GAS PIL./IONO	GAS INLET CONNECTION PILOT	5206630											A806		N									
140	V.G. HON. V 4600 A 1098-RAPIDA	GAS VALVE HONEYWELL	5627550					●																	
140	V.G. HON. VR4605 AA1045-RAPIDA	GAS VALVE HONEYWELL	5627560	●	●					●	●	●		A744		N	(9)								
140	V.G. HON. VR4605 AA1045-RAPIDA	GAS VALVE HONEYWELL	5627560											A806		N	(9)								
140	V.G. MOD. 837-302 TANDEM (-20)	GAS VALVE TANDEM	5628140			●	●																		
140	VALV. GAS MOD. SIT837-011 TANDEM	GAS VALVE SIT	5626050	●	●					●	●	●													
140	VALV. GAS HON. VK4105A 1027	GAS VALVE HONEYWELL	5644680	●	●					●	●	●		A744	B240	S									
140	ASS. VALV. GAS VK4105M 5033	GAS VALVE ASSEMBLY	5665210	●	●					●	●	●		B240											

# LUNA FF

Pos.	Descrizione	Description	Codice ricambio	CAB11520X680-1,2 - LUNA 1 20 FI									Matr. iniz.	Matr. fin.	Int.	Note		
				LUN 01	LUN 02	LUN 03	LUN 04	LUN 05	LUN 06	LUN 07	LUN 08	LUN 09						
140	VALV. GAS HON. VK4105A 1027	GAS VALVE HONEYWELL	5644680											●	A806	B006	N	(22)
141	ASS. BOBINA-FERMO MD 10001	ELECTRIC MODULATOR COIL ASSEMBLY	8440130	●	●			●	●	●	●	●	●					
141	BOBINA MOD. 837-16V-CC TANDEM	ELECTRIC MODULATOR COIL ASSEMBLY	8440220	●	●	●	●											
142	FERMO PER PERNO DI REGOLAZIONE	MOD. PIVOT FIXING SPRING	5108980	●	●			●	●	●	●	●	●					
143	ASS. PERNO/MOLLA GAS M-MD10003	MOD. PIVOT ASSEMBLY LPG	5629540	●			●	●	●	●	●	●	●		A620		S	
143	CARTUCCIA MODULATORE TANDEM	MOD. PIVOT ASSEMBLY	8440230	●	●	●	●			●	●	●	●					
143	ASS. PERNO/MOLLA MET. -MD10007-	MOD. PIVOT ASSEMBLY NATURAL GAS	5637710	●	●			●	●	●	●	●	●		A620			
144	MOLLA GAS METANO 4181017007	NATURAL GAS SPRING	8380390	●				●	●	●	●	●	●		A620		S	
144	MOLLA PER GAS GPL 4181017003	LPG SPRING	8380380	●	●			●	●	●	●	●	●					
144	MOLLA CILINDRICA PER METANO	NATURAL GAS SPRING	8380640	●	●			●	●	●	●	●	●		A620			
146	ASS. MICRO ACCENS. S/CAVI ISPRA	ASS. MICRO ACCENS. S/CAVI ISPRA	5629940					●							A722		N	
146	MICROINTER. CROUZET 831704	MICROINTER. CROUZET 831705	8434140					●							A722			
147	TRAVERSA PORTARACCORDI VERN.	CONNECTION TRAVERSE	5625710	●	●	●	●	●	●	●	●	●	●	●				
150	COPERCHIO REGOLAZIONI	COVER PLATE	5406260	●	●	●	●	●	●	●	●	●	●	●	A630			
151	COPERCHIO COMANDI	ELECTRIC BOX REAR COVER	5404250	●		●	●	●	●	●	●	●	●		A630		S	
151	ASS. COPER. COM. REGOLAZ. IPX4D	ELECTRIC BOX REAR COVER	5650220	●	●	●	●	●	●	●	●	●	●		A630			
152	CRUSCOTTO SERIGRAFATO	PRINTED CONTROL PANEL	5625870			●	●	●	●	●	●	●	●		A509		N	
152	CRUSCOTTO SERIGRAFATO	PRINTED CONTROL PANEL	5630690	●	●	●	●	●	●	●	●	●	●	●	A509			
153	COPERCHIO GR. MORSETTIERA	JUNCTION COVER	5404350	●	●	●	●	●	●	●	●	●	●					
154	GR. SCHEDA MODULAZ. JOLLY INECO	PCB INECO	5646000	●	●	●	●	●	●	●	●	●	●					(4)
154	GR. SCHEDA MODULAZ. JOLLY INECO	PCB INECO	5646000										●		B006		N	(4)
154	SCHEDA MOD. 20 FI SM11419	PCB	5626670	●	●	●	●		●	●	●	●	●		A618		S	
154	SCHEDA MOD. 20 FI SIT 0550012	PCB	5632950	●	●													(5)
154	SCHEDA MOD. SPACE 20 FI OCRE2	PCB	5632410										●		B006		N	
154	SCHEDA MODULAZIONE 20 FP	PCB	5626880					●										
154	SCHEDA MOD. 20 FI SIT 0550012	PCB	5632950			●	●		●	●					A529			(5)
154	SCHEDA MOD. 20 FP SIT 0550011	PCB	5632930					●							A529			(13)
154	SCHEDA MOD. SPACE 20 FI OCRE2	PCB	5632410	●	●	●	●		●	●	●	●	●		A618			
154	SCHEDA MODULAZIONE	PCB	5651220										●		B006			
155	SCHEDA IONO FF INECO	IONIZATION PCB	5642300		●										A751		S	
155	SCHEDA IONO FI	IONIZATION PCB	5627350	●		●	●		●	●	●	●	●		A713		S	
155	SCHEDA IONO 20 FI SIT 0501098	IONIZATION PCB	5633010	●	●	●	●		●	●	●	●	●					(15)
155	SCHEDA IONO 20 FI SIT 0501098	IONIZATION PCB	5633010										●		A919		S	(15)
155	SCHEDA IONO FF INECO	IONIZATION PCB	5642300	●		●	●		●	●	●	●	●		A713	A751	S	
155	SCHEDA IONO FF SMD -IO11413-	IONIZATION PCB	5645150	●	●	●	●		●	●	●	●	●		A751	A919	S	
155	SCHEDA IONO FF INECO	IONIZATION PCB	5650620	●	●	●	●		●	●	●	●	●		A919			
156	SCHEDA SEGNALEZ./R SK11417 SPACE FI	RESET PCB	5632420										●		B006		N	
156	SCHEDA SEGNALEZ./RIARMO 20 FP	RESET PCB	5626890					●										
156	SCHEDA SEGNALEZ./R.-FI SIT 0551012	RESET PCB	5632990	●	●	●	●		●	●					A529			
156	SCHEDA SEGNALEZ./R. FP SIT 0551011	RESET PCB	5632980					●							A529			
156	SCHEDA SEGNALEZ./RIARMO 20 FI	RESET PCB	5626680	●	●	●	●		●	●	●	●	●		A529	A618	S	(17)
156	SCHEDA SEGNALEZ./R SK11417 SPACE FI	RESET PCB	5632420	●	●	●	●		●	●	●	●	●		A618			
156	SCHEDA DISPLAY	RESET PCB	5651230										●		B006			
157	ASS. ANTINA LUNA	CONTROL PANEL COVER	5627960	●	●	●	●	●	●	●	●	●	●	●				
159	PERNO SX ANTINA	LEFT CONTROL PANEL COVER PIN	5404540	●	●	●	●	●	●	●	●	●	●	●				
160	PERNO DX ANTINA	RIGHT CONTROL PANEL COVER PIN	5404550	●	●	●	●	●	●	●	●	●	●	●				
161	MOLLA A TORSIONE	SPRING	5108540	●	●	●	●	●	●	●	●	●	●	●				
162	MASCHERINA SERIGR. LUNA SPACE 20 FFI	PRINTED PANEL PLATE	5628720			●										A512		N
162	MASCHERINA SERIGR. 1.20 FI	PRINTED PANEL PLATE	5628310	●											A647		S	
162	MASCHERINA SERIGR. 1.24 FI	PRINTED PANEL PLATE	5642930		●													
162	MASCHERINA SERIGR. 20 FP	PRINTED PANEL PLATE	5627130					●										
162	MASCHERINA SERIGR. 24 FI	PRINTED PANEL PLATE	5633190										●					
162	MASCHERINA SERIGR. 24 FI PLUS	PRINTED PANEL PLATE	5640420											●				
162	MASCHERINA SERIGR. SUPER 20 FI	PRINTED PANEL PLATE	5640520										●					
162	MASCHERINA SERIGR. LUNA OCEAN-AIR	PRINTED PANEL PLATE	5638120				●											
162	MASCHERINA SERIGR. 20 FI	PRINTED PANEL PLATE	5626640				●			●					A4..	A618		N
162	MASCHERINA SERIGR. LUNA SPACE 20 FI	PRINTED PANEL PLATE	5629150			●									A512			
162	MASCHERINA SERIGR. 20 FI	PRINTED PANEL PLATE	5636650							●					A618			
162	MASCHERINA SERIGR. 1.20 FI PUB	PRINTED PANEL PLATE	5638460	●											A647			
163	TAPPO TIMER BIANCO GOFFRATO	TIMER HOLE PLATE	5404570			●	●	●	●	●	●	●	●		A509		N	
163	TAPPO TIMER CIRCOLARE LUNA	TIMER HOLE PLATE	5405570	●	●	●	●	●	●	●	●	●	●	●	A509			
166	MORSETTIERA 5P C/PORTAFUSIBILE	JUNCTION	8422430	●	●	●	●	●	●	●	●	●	●	●	A919		S	

# LUNA FF

Pos.	Descrizione	Description	Codice ricambio	CAB11520X680-1,2 - LUNA 1 - 20 FI									Matr. iniz.	Matr. fin.	Int.	Note
				LUN 01	LUN 02	LUN 03	LUN 04	LUN 05	LUN 06	LUN 07	LUN 08	LUN 09				
166	MORSETTIERA 5P C/PORTAFUSIBILE	JUNCTION	8421590	●	●	●	●	●	●	●	●	●	A919			
167	PORTAFUSIBILE LUNA	FUSE HOLDER	5405340	●	●	●	●	●	●	●	●	●				
168	FUSIBILE 2A 250V IMQ	FUSE 2A 250V	8421410	●	●	●	●	●	●	●	●	●	A4..		S	
168	FUSIBILE 2A 250V	FUSE 2A 250V	9950580	●	●	●	●	●	●	●	●	●				
169	ASS. TERMOMANOM. BIANCO S/STAFFA	THERMAL PRESSURE GAUGE	9950480	●	●	●	●	●	●	●	●	●				
170	SUPPORTO TERMOMANOMETRO	THERMAL PRESSURE SUPPORT	5403110	●	●	●	●	●	●	●	●	●				
172	FILTRO ANTID. TIPO FLCS 240501	SUPPRESSOR FILTER	8450230									●				
172	FILTRO ANTID. TIPO LC-411105060	SUPPRESSOR FILTER	8450200	●	●	●	●	●	●	●	●	●				
173	SCHEDA START	START PCB	5643340					●					A722			
174	MANOPOLA POTENZIOMETRO	POTENTIOMETER KNOB	5404290	●	●	●	●	●	●	●	●	●				
175	MANOPOLA COMMUTATORE	COMMUTATOR KNOB	5404280	●	●	●	●	●	●	●	●	●				
176	MANOPOLA VALVOLA GAS	GAS VALVE KNOB	5404300					●								
177	MOLLA MANOPOLA GAS	GAS VALVE KNOB SPRING	5108520					●								
178	NASELLO BLOC. MANOPOLA GAS	FIXING KNOB ELEMENT	5404330					●								
179	ADATTATORE PULSANTE HONEYWELL	KNOB ADAPTER HONEYWELL	5404320					●								
190	GUARNIZIONE G3/8 8X15X2 WRC	GASKET G3/8	5404970	●	●	●	●	●	●	●	●	●				
191	GUARNIZIONE G1/2 12X18X2 WRC	GASKET G1/2	5404640	●	●	●	●	●	●	●	●	●				
192	GUARNIZIONE G3/4 17X24X2 WRC	GASKET G3/4	5404650	●	●	●	●	●	●	●	●	●				
193	GUARNIZIONE PER TUBO D.18	PIPE GASKET D18	5400940	●	●		●	●	●	●	●	●				
194	GUARNIZIONE PER TUBO D.14	PIPE GASKET D14	5400950	●	●		●	●	●	●	●	●				
195	ANELLO ELASTICO PER TUBO D.18	METAL RING D18	5101880	●	●		●	●	●	●	●	●				
195	ANELLO ELASTICO PER TUBO D.18	METAL RING D18	5101880				●							A703		
196	ANELLO ELASTICO PER TUBO D.14	METAL RING D14	5101890	●	●			●	●	●	●	●				
196	ANELLO ELASTICO PER TUBO D.14	METAL RING D14	5101890				●							A703		
200	DOTAZIONE CALDAIA	HYDRAULIC CONNECTION ASSEMBLY	5626010					●	●	●	●	●				
200	DOTAZIONE CALDAIA	HYDRAULIC CONNECTION ASSEMBLY	5626010				●							A703	N	
200	DOTAZIONE CALDAIA LUNA SPACE	HYDRAULIC CONNECTION ASSEMBLY	5631480			●										
200	DOTAZIONE CALDAIA MONOT.	HYDRAULIC CONNECTION ASSEMBLY	5628320	●	●											
200	DOTAZIONE CALDAIA LUNA SPACE	HYDRAULIC CONNECTION ASSEMBLY	5631480				●							A703		
201	RACCORDO RISCALD. LUNA SPACE	HEATING CONNECTION ASSEMBLY	5632630			●										
201	RACCORDO RISCALDAMENTO	HEATING CONNECTION ASSEMBLY	5625950	●	●			●	●	●	●	●				
201	RACCORDO RISCALDAMENTO	HEATING CONNECTION ASSEMBLY	5625950					●						A703		
201	RACCORDO RISCALD. LUNA SPACE	HEATING CONNECTION ASSEMBLY	5632630				●							A703		
203	TUBO MR-RR NICHELATO	CONNECTING PIPE	5628020	●	●			●	●	●	●	●				
203	TUBO MR-RR NICHELATO	CONNECTING PIPE	5628020				●							A703		
204	GR. E.S. RUBINETTO C/FILTRO	DHW AND FILLING TAP WITH FILTER	5631490			●										
204	GR. RUBINETTO E.S.	DHW TAP	5625980	●	●			●	●	●	●	●				
204	GR. RUBINETTO E.S.	DHW TAP	5625980					●						A703		
204	GR. E.S. RUBINETTO C/FILTRO	DHW AND FILLING TAP WITH FILTER	5631490			●								A703		
205	GR. CURVA 90/RAC. ASPIRAZ. ARIA	SUCTION BEND 90	5650600							●						
206	GRUPPO RACCOGLI/RIDUZ./GIUNTO	RESTRICTOR/CONNECTION ASSEMBLY	5650590							●						
209	GR. RUBINETTO GAS	GAS TAP	5627620	●	●			●	●	●	●	●				
209	GR. RUBINETTO GAS	GAS TAP	5627620				●							A703		
209	GR. RUBINETTO GAS LUNA SPACE	GAS TAP	5628970			●										
209	GR. RUBINETTO GAS LUNA SPACE	GAS TAP	5628970				●							A703		
210	RUBINETTO G3/4 GAS C/MANOPOLA	YELLOW GAS TAP	5628800			●										
210	RUBINETTO GAS 3/4 M/M L/GIALLA	YELLOW GAS TAP	5626780	●	●			●	●	●	●	●				
210	RUBINETTO GAS 3/4 M/M L/GIALLA	YELLOW GAS TAP	5626780				●							A703		
210	RUBINETTO G3/4 GAS C/MANOPOLA	YELLOW GAS TAP	5628800			●								A703		
212	BICONO D.18 RACCORDO GAS C&M	BICONIC CONNECTION D18	5206840	●				●	●		●	●	A4..	A638	S	
212	BICONO D.18 RACCORDO GAS C&M	BICONIC CONNECTION D18	5206840							●			A529	A638	S	
212	BICONO D.18 CU TE	BICONIC CONNECTION D18	5209040	●	●			●	●	●	●	●	A638	B202	S	
212	BICONO IN PTFE D.18	BICONIC CONNECTION D18	5408330	●	●			●	●	●	●	●	B202			
218	GR. R.R.-RUBINETTO C/FILTRO	HEATING FLOW TAP WITH FILTER	5628750			●										
218	GR. R.R.-RUBINETTO C/FILTRO	HEATING FLOW TAP WITH FILTER	5628750				●							A703		
219	GR. COPERCHIO-FONDO LUNA SPACE	UPPER/LOWER PLATE ASSEMBLY	5631620			●										(18)
220	ASS. FONDO-TAPPI	BOTTOM/CAPS ASSEMBLY	5631470			●										
221	COPERTURA FISSA 20 FI ESTERNO	FIXED COVER	5404990			●										
222	COPERTURA MOBILE 20 FI ESTERNO	MOBILE COVER	5405010			●										
223	GRUPPO ANTIGELO	ANTIFROST ASSEMBLY	5633900			●										
224	RUBINETTO M3/8 M/M ATTACCO RAP.	FILLING TAP	5631510			●										
224	RUBINETTO M3/8 M/M ATTACCO RAP.	FILLING TAP	5631510				●							A703		

# LUNA FF

Pos.	Descrizione	Description	Codice ricambio	<div style="display: flex; justify-content: space-between;"> <div style="writing-mode: vertical-rl; transform: rotate(180deg); font-size: 8px;">CAB11520X680-1,2 - LUNA 1-20 FI</div> <div style="writing-mode: vertical-rl; transform: rotate(180deg); font-size: 8px;">CAB11524X680 - LUNA 1-24 FI</div> <div style="writing-mode: vertical-rl; transform: rotate(180deg); font-size: 8px;">CAB11620X680-1 - LUNA 20 FI</div> <div style="writing-mode: vertical-rl; transform: rotate(180deg); font-size: 8px;">CAB11620X680-1 - LUNA-SPACE 20 FI</div> <div style="writing-mode: vertical-rl; transform: rotate(180deg); font-size: 8px;">CAB11620X680-1 - LUNA AIR 20 FI</div> <div style="writing-mode: vertical-rl; transform: rotate(180deg); font-size: 8px;">CAB11620X680-1,2 - LUNA 20 FI</div> <div style="writing-mode: vertical-rl; transform: rotate(180deg); font-size: 8px;">CAB11624X680 - LUNA SUPER 20 FI</div> <div style="writing-mode: vertical-rl; transform: rotate(180deg); font-size: 8px;">CAB11624X680 - LUNA PLUS 24 FI</div> </div>									LUN 01	LUN 02	LUN 03	LUN 04	LUN 05	LUN 06	LUN 07	LUN 08	LUN 09	Matr. iniz.	Matr. fin.	Int.	Note
225	RUBINETTO G3/4 C/FILTRO-MANOPOLA	HEATING RETURN TAP WITH FILTER G3/4	5644740			●																			
225	RUBINETTO G3/4 C/FILTRO-MANOPOLA	HEATING RETURN TAP WITH FILTER G3/4	5644740				●					A703													
227	RUBINETTO G1/2 C/FILTRO-MANOPOLA	HEATING RETURN TAP WITH FILTER G1/2	5631500			●	●																		
230	ASS. TUBO RIEMPIMENTO NICHELATO	FILLING TAP	5628830			●																			
230	ASS. TUBO RIEMPIMENTO NICHELATO	FILLING TAP	5628830				●					A703													
231	PROLUNGA PRESA FUMI	FLUE INTAKE EXTENSION	5207300			●																			
232	SCHEDA CONTROL. REMOTO SK11416	REMOTE CONTROL PCB	5632430			●																			
259	MARCHIO ADESIVO OCEAN H12MM	OCEAN BRAND LABEL	5625520	●	●	●	●	●	●	●	●			B010	S										
259	MARCHIO OCEAN AIR	OCEAN BRAND LABEL	5638060			●																			
259	MARCHIO BAXI	BAXI BRAND LABEL	5651400	●	●	●	●	●	●	●	●	●		B010											
274	DADO IN GABBIA M4	NUT M4	8240550	●	●	●	●	●	●	●	●	●					S								
274	DADO IN GABBIA M4	NUT M4	9950870	●	●	●	●	●	●	●	●	●													
275	DOP. BOBINA 220V-50HZ TANDEM	DOUBLE COIL 220V-50Hz TANDEM	8440210	●	●	●	●		●	●	●	●													
276	PRESTOLINA X AUTOF. 8P (4,2)	CLIP	1340440	●	●	●	●	●	●	●	●	●													
277	ASS. SUPP. BRUC. LATO VENTURI 20FI/FP	BURNER SUPPORT ASSEMBLY	5631980		●											A518	S								
277	ASS. SUPP. BRUC. LATO VENTURI 20FI/FP	BURNER SUPPORT ASSEMBLY	5631980	●										A516	A518	S									
277	ASS. SUPP. BRUC. LATO VENTURI 20FI/FP	BURNER SUPPORT ASSEMBLY	5631980			●	●	●	●	●	●			A518		S									
277	ASS. SUPP. BRUC. LATO VENTURI	BURNER SUPPORT ASSEMBLY	5111980	●	●	●	●	●	●	●	●	●		A518											
278	SUPPORTO CAMERA COMBUSTIONE	COMBUSTION CHAMBER SUPPORT	5108020	●	●	●	●	●	●	●	●	●													
279	PIASTRINA VITE D.4,2	SCREW PLATE	8380097	●	●	●	●	●	●	●	●	●													
280	GUARNIZIONE 14,2X18X1,5 AL-18-	GASKET 14,2X18X1,5	5207730					●	●	●	●	●													
280	GUARNIZIONE 14,2X18X1,5 AL-18-	GASKET 14,2X18X1,5	5207730			●										A703									
281	CALOTTINA CIECA G1/4	CAP G1/4	5206940			●	●	●	●	●	●	●													
285	COPERCHIO MORSETTIERA CIECO	TERMINAL BOARD COVER	5406310	●	●									A647											
286	DADO IN GABBIA M5	NUT M5	8240530			●	●	●	●	●	●	●													
287	RACCORDO D.7,2 PER CANDELA	IGNITER CONNECTION	5202480					●																	
288	RACCORDO D.6,5 PER TERMOCOPPIA	THERMOCOUPLE CONNECTION	5202490					●																	
289	ELETTROOPERATORE V404A-1329-4	OPERATOR	8433980	●	●		●	●	●	●	●	●													
289	ELETTROOPERATORE V404A-1329-4	OPERATOR	8433980											A806											
290	REGOLATORE V5306E 1226 1	REGULATOR	600850	●	●				●	●	●	●			B240	S									
290	ASS. MODULAT. VK4105M 5033	REGULATOR	5665230	●	●				●	●	●	●			B240										
290	REGOLATORE V5306E 1176 1	REGULATOR	8434000	●	●	●	●	●	●	●	●	●													
291	ACCEND. RITARD. 680R10/05	IGNITER WITH CABLE	5607310					●								A722	N	(19)							
322	MOLLA FIX BULBO	BULBE FIXING SPRING	5102970	●	●	●	●	●	●	●	●	●													
329	PORTAGOMMA M5	HOSE ADAPTER	5207030	●	●				●	●	●	●													
362	ASS. CABL. MICRO/SUPPORTI	3PV MICROSWITCH ASSEMBLY	5632640			●																			
363	ANELLO OR 13,6X2,7 NBRH -38-	OR 13,6X2,7 NBRH	5410020				●	●	●	●	●	●													
461	MORSETTIERA 6P -PA35-	JUNCTOR	8422130	●	●									A647											
467	DADO G3/4 NICHELATO	NUT G3/4	9950310	●	●	●			●	●	●	●													
467	DADO G3/4 NICHELATO	NUT G3/4	9950310			●										A703									
468	NIPPLO G3/4 NICHELATO	CONNECTING ELEMENT G3/4	5627970	●	●				●	●	●	●													
468	NIPPLO G3/4 NICHELATO	CONNECTING ELEMENT G3/4	5627970				●									A703									
471	RACCORDO US	U.S. CONNECTION	5625960			●	●	●	●	●	●	●													
472	TUBO U.S. NICHELATO	DHW OUTLET	5627990					●	●	●	●	●													
472	TUBO U.S. NICHELATO	DHW OUTLET	5627990					●								A703									
473	DADO G1/2 NICHELATO	NUT G1/2	9950300	●	●	●			●	●	●	●													
473	DADO G1/2 NICHELATO	NUT G1/2	9950300				●									A703									
474	NIPPLO G1/2 NICHELATO	CONNECTING ELEMENT G1/2	5627980	●	●				●	●	●	●													
474	NIPPLO G1/2 NICHELATO	CONNECTING ELEMENT G1/2	5627980				●									A703									
475	TUBO D.14 L=100 ES NICHELATO	D14 PIPE	5628000	●	●				●	●	●	●													
478	FILTRO SANITARIO	DHW FILTER	5109090	●			●	●	●	●						A605	S	(20)							
478	FILTRO SANITARIO	DHW FILTER	5109090			●										A645	S	(20)							
479	ANELLO OR 20,35X1,78 NBR	OR 20,35X1,78 NBR	5405190	●	●	●	●	●	●	●	●	●													
480	TUBO GAS NICHELATO	GAS PIPE	5628010	●	●				●	●	●	●													
480	TUBO GAS NICHELATO	GAS PIPE	5628010				●									A703									
481	DADO G3/4 NICHELATO	NUT G3/4	5628030	●	●				●	●	●	●													
481	DADO G3/4 NICHELATO	NUT G3/4	5628030				●									A703									
490	RUBINETTO E.S. C/FILTRO CIMBERIO	DHW INLET TAP WITH FILTER	5625970	●	●				●	●	●	●													
490	RUBINETTO E.S. C/FILTRO CIMBERIO	DHW INLET TAP WITH FILTER	5625970				●									A703									
491	ASS. TAPPO-FILTRO	CAP-FILTER ASSEMBLY	5637070								●														
491	ASS. TAPPO-FILTRO	CAP-FILTER ASSEMBLY	5637070				●									A703									
491	ASS. TAPPO-FILTRO	CAP-FILTER ASSEMBLY	5637070	●	●				●	●	●	●				A605									



**BAXI**

**BAXI S.p.A.**  
**Via Trozzetti, 20**  
**36061 BASSANO DEL GRAPPA (VI)**  
**ITALY**  
**Tel. +390424517111**  
**Telefax +390424517379**  
**E-mail. [service@baxi.it](mailto:service@baxi.it)**